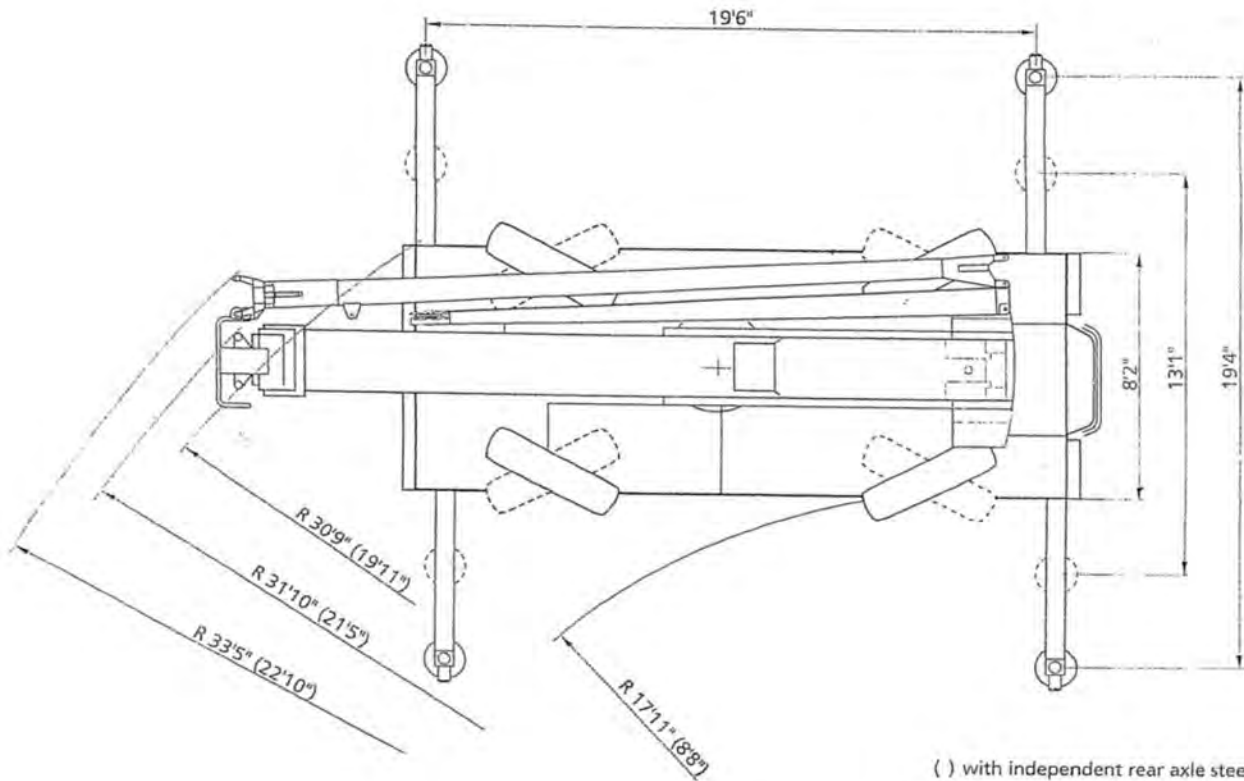


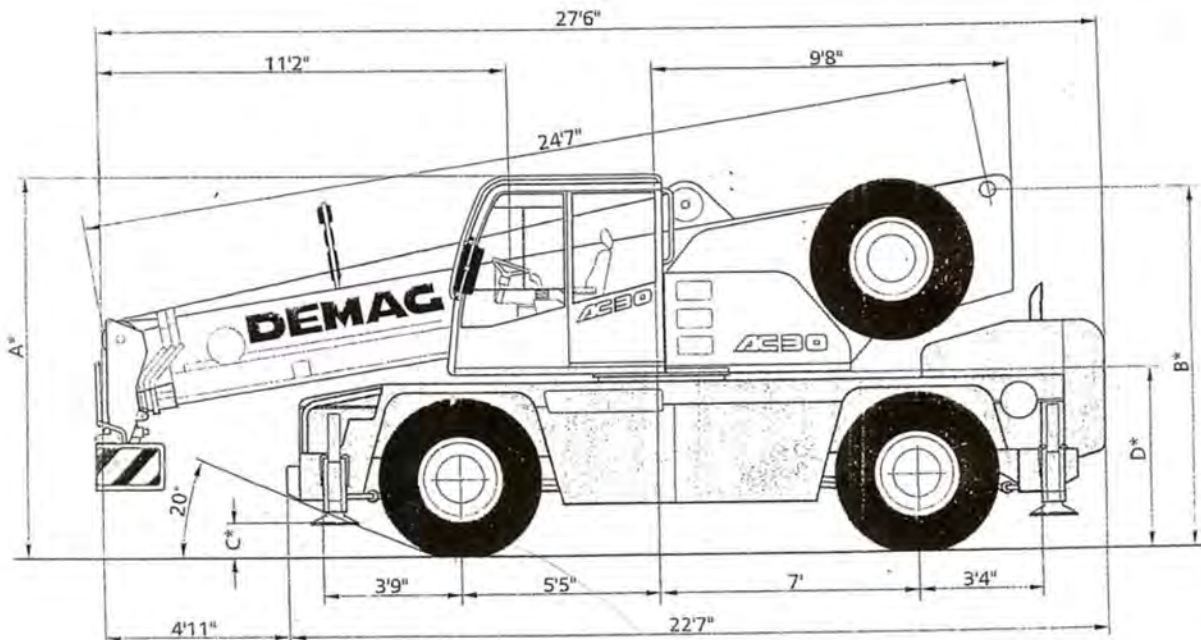


# DIMENSIONS:

**WEIGHT = 50,000 LBS**

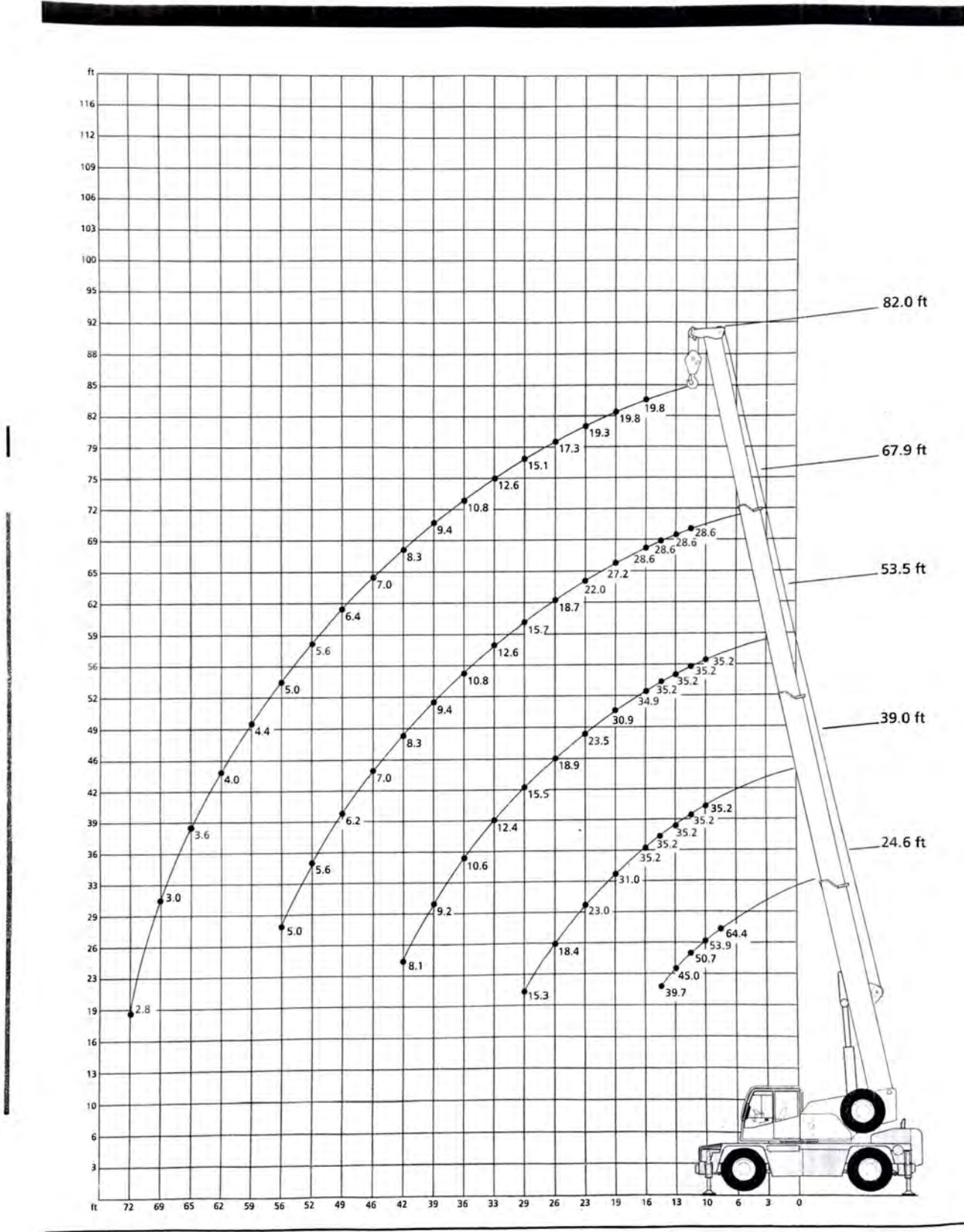


( ) with independent rear axle steering





# Working ranges main boom



AC 30



ISO 4305

DIN 15019.2

AC 30 City Capacities on Main Boom

360°

Capacity (lb x 1000) = Load + Hook Block

Counterweight 5,072 lb  
Outrigger Base 19.5 x 19.4 ft

Radius (ft)	Main Boom (ft)				
	24.6	39.0	53.5	67.9	82.0
9	64.4**	-	-	-	-
10	53.9*	35.2	35.2	-	-
11	50.7	35.2	35.2	28.6	-
13	45.0	35.2	35.2	28.6	-
15	39.7	35.2	35.2	28.6	-
16	-	35.2	34.9	28.6	19.8
19	-	31.0	30.9	27.2	19.8
23	-	23.0	23.5	22.0	19.3
26	-	18.4	18.9	18.7	17.3
29	-	15.3	15.5	15.7	15.1
33	-	-	12.4	12.6	12.6
36	-	-	10.6	10.8	10.8
39	-	-	9.2	9.4	9.4
42	-	-	8.1	8.3	8.3
46	-	-	-	7.0	7.0
49	-	-	-	6.2	6.4
52	-	-	-	5.6	5.6
56	-	-	-	5.0	5.0
59	-	-	-	-	4.4
62	-	-	-	-	4.0
65	-	-	-	-	3.6
69	-	-	-	-	3.0
72	-	-	-	-	2.8
Capacity horizontal (lb x 1000)					
	28.7	11.0	6.2	3.3	1.8
No. of Hoist Lines					
	**11/*9/8	6	6	5	4
Sequence of Extended Boom (%)					
Tel. I-III	0	25	50	75	100

\*\*0° over rear / 180° over front / with heavy duty attachment

\*with heavy duty attachment



ISO 4305

DIN 15019.2

360°

### AC 30 City Capacities on Main Boom

Capacity (lb x 1000) = Load + Hook Block

Counterweight 5,072 lb  
Outrigger Base 19.5 x 13.1 ft

Radius (ft)	Main Boom (ft)				
	24.6	39.0	53.5	67.9	82.0
10	47.5	35.2	35.2	-	-
11	44.3	35.2	35.2	29.3	-
13	33.5	33.8	30.1	26.6	-
15	24.5	25.7	25.0	22.5	-
16	-	22.8	22.9	20.9	18.7
19	-	16.7	17.1	16.9	15.5
23	-	11.8	12.1	12.3	12.1
26	-	9.6	9.8	10.1	10.0
29	-	8.0	8.2	8.4	8.4
33	-	-	6.5	6.7	6.7
36	-	-	5.5	5.7	5.7
39	-	-	4.7	4.9	4.9
42	-	-	4.0	4.3	4.3
46	-	-	-	3.5	3.7
49	-	-	-	3.1	3.1
52	-	-	-	2.7	2.8
56	-	-	-	2.4	2.4
59	-	-	-	-	2.2
62	-	-	-	-	1.8
65	-	-	-	-	1.5
69	-	-	-	-	1.3
72	-	-	-	-	1.1
Capacity horizontal (lb x 1000)					
	19.8	5.5	2.6	1.1	-
No. of Hoist Lines					
	8	6	6	5	3
Sequence of Extended Boom (%)					
Tel. I-III	0	25	50	75	100



ISO 4305

DIN 15019.2

AC 30 City Capacities on Main Boom

360°

Capacity (lb x 1000) = Load + Hook Block

Counterweight 5,072 lb  
Outrigger Base 19.5 x 7.4 ft

Radius (ft)	Main Boom (ft)		
	24.6	39.0	53.5
10	21.9	22.8	19.3
11	18.7	19.4	17.4
13	13.9	14.5	14.4
15	10.8	11.4	11.8
16	-	10.3	10.6
19	-	7.8	8.0
23	-	5.7	5.7
26	-	4.5	4.7
29	-	3.6	3.8
33	-	-	3.0
36	-	-	2.4
39	-	-	2.0
42	-	-	1.6
Capacity horizontal (lb x 1000)			
	8.8	2.2	-
No. of Hoist Lines			
	4	4	4
Sequence of Extended Boom (%)			
Tel. I-III	0	25	50

- Attention: min. radius 8,2 ft!



ISO 4305

DIN 15019.2

AC 30 City Capacities on Main Boom

Capacity (lb x 1000) = Load + Hook Block

0° over rear  
180° over front  
free on wheels  
Counterweight 5,072 lb

Radius (ft)	Main Boom (ft)		
	24.6	39.0	53.5
10	21.7	22.2	22.2
11	20.1	20.7	21.0
13	17.7	18.4	18.6
15	15.8	16.3	16.5
16	-	15.5	15.7
19	-	13.1	13.3
23	-	9.6	9.9
26	-	7.8	8.0
29	-	6.6	6.6
33	-	-	5.4
36	-	-	4.6
39	-	-	4.0
42	-	-	3.4
Capacity horizontal (lb x 1000)			
	14.3	5.5	2.2
No. of Hoist Lines			
	4	4	4
Sequence of Extended Boom (%)			
Tel. I-III	0	25	50

- max. 1.2 m. p. h.

DIN 15019.2

360°

## AC 30 City Capacities on Main Boom

Capacity (lb x 1000) = Load + Hook Block

 free on wheels  
 Counterweight 5,072 lb

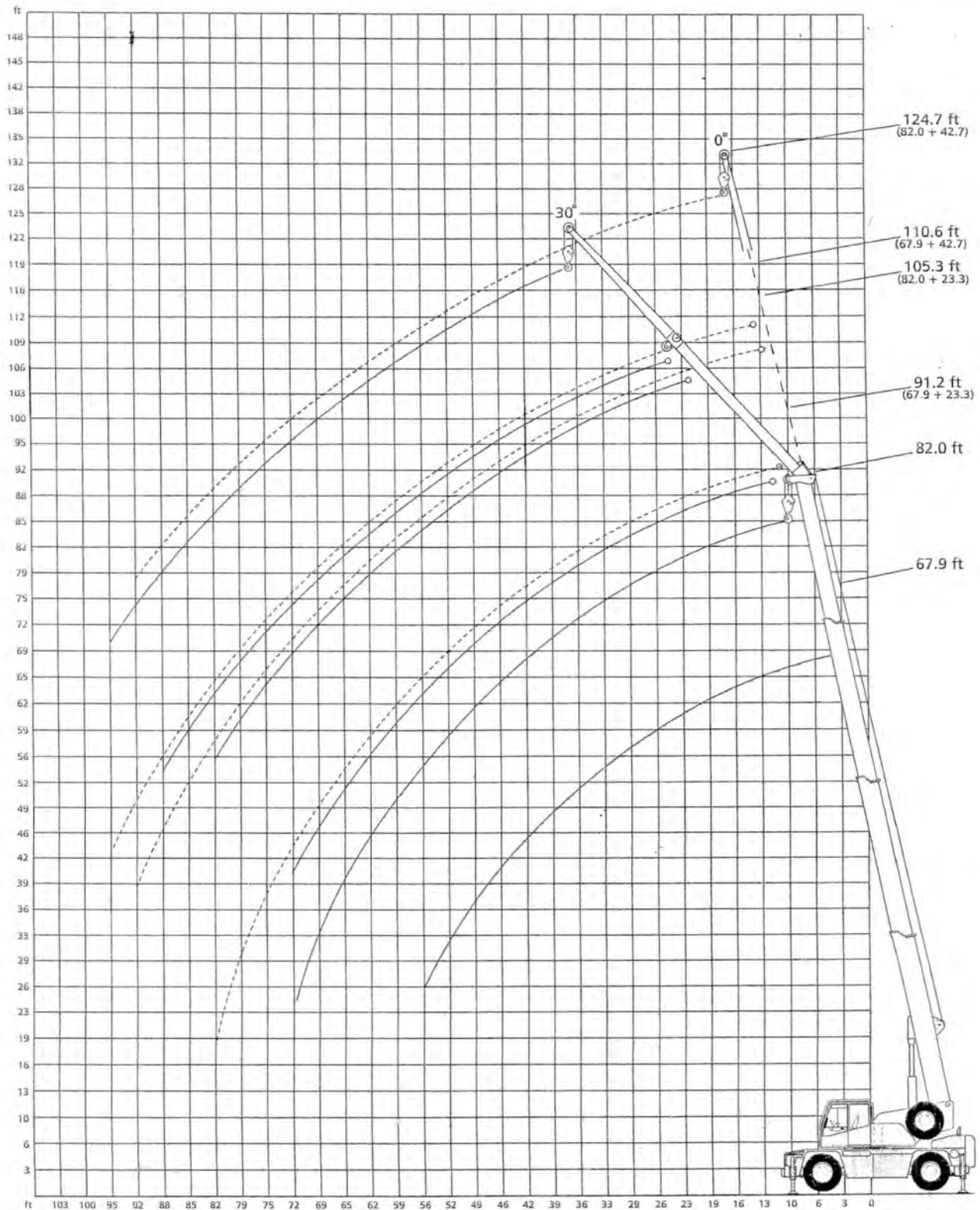
Radius (ft)	Main Boom 24.6	(ft) 39.0	53.5
11	13.8	14.4	14.9
13	11.3	12.2	12.2
15	9.4	10.3	10.5
16	-	9.4	9.6
19	-	7.1	7.3
23	-	5.0	5.2
26	-	4.0	4.2
29	-	3.4	3.4
33	-	-	2.6
36	-	-	2.2
39	-	-	1.8
42	-	-	1.4
Capacity horizontal (lb x 1000)			
	7.7	2.2	-
No. of Hoist Lines			
	3	3	3
Sequence of Extended Boom (%)			
Tel. I-III	0	25	50

- Attention: min. radius 11.5 ft!

- only stationary!



# Working ranges main boom extension



AC 30







ISO 4305

DIN 15019.2

AC 30 City Capacities on Main Boom Extension

360°

Capacity (lb x 1000) = Load + Hook Block

Counterweight 5,072 lb

Outrigger Base 19.5 x 19.4 ft

Main Boom Extension 23.3 ft

Radius (ft)	Pos. 0°		Pos. 30°	
	Main Boom (ft)	(ft)	Main Boom (ft)	(ft)
	67.9	82.0	67.9	82.0
16	12.3	-	-	-
19	12.3	-	-	-
23	11.6	9.9	-	-
26	11.0	9.7	-	-
29	10.4	9.3	8.1	-
33	9.6	8.8	7.9	7.4
36	9.2	8.6	7.7	7.2
39	8.8	8.2	7.5	7.0
42	8.4	7.8	7.3	6.8
46	7.2	7.0	7.0	6.6
49	6.4	6.4	6.8	6.4
52	5.8	5.6	6.2	6.2
56	5.0	4.8	5.4	5.4
59	4.6	4.4	4.8	4.8
62	4.0	4.0	4.4	4.2
65	3.6	3.6	3.8	3.8
69	3.0	3.0	3.2	3.2
72	2.8	2.6	-	2.8
75	2.4	2.4	-	2.6
79	2.1	1.9	-	2.1
82	1.9	1.7	-	1.9
85	-	1.5	-	-
88	-	1.3	-	-
92	-	1.0	-	-

No. of Hoist Lines

2

Sequence of Extended Boom (%)

Tel. I-III	75	100	75	100
------------	----	-----	----	-----



ISO 4305

DIN 15019.2

AC 30 City Capacities on Main Boom Extension

360°

Capacity (lb x 1000) = Load + Hook Block

Counterweight 5,072 lb  
Outrigger Base 19.5 x 19.4 ft

Main Boom Extension 42.7 ft

Radius (ft)	Pos. 0°		Pos. 30°	
	Main Boom (ft)	(ft)	67.9	82.0
23	4.8	-	-	-
26	4.8	4.4	-	-
29	4.8	4.4	-	-
33	4.6	4.4	-	-
36	4.6	4.4	-	-
39	4.4	4.2	-	-
42	4.2	4.1	3.7	-
46	4.1	3.9	3.5	3.3
49	3.9	3.9	3.5	3.3
52	3.7	3.7	3.3	3.3
56	3.5	3.7	3.2	3.0
59	3.5	3.5	3.0	3.0
62	3.3	3.5	3.0	3.0
65	3.1	3.3	3.0	2.9
69	3.0	3.2	2.8	2.8
72	2.8	2.8	2.8	2.8
75	2.8	2.6	2.8	2.8
79	2.4	2.1	2.8	2.6
82	2.2	1.9	2.6	2.4
85	2.0	1.7	2.4	2.2
88	1.8	1.5	2.0	2.0
92	1.5	1.3	-	1.7
95	1.3	1.1	-	1.5
98	1.3	-	-	1.3

No. of Hoist Lines

1

Sequence of Extended Boom (%)

Tel. I-III	75	100	75	100
------------	----	-----	----	-----



ISO 4305

DIN 15019.2

AC 30 City Capacities on Main Boom Extension

360°

Capacity (lb x 1000) = Load + Hook Block

Counterweight 5,072 lb  
Outrigger Base 19.5 x 13.1 ft

Main Boom Extension 23.3 ft

Radius (ft)	Pos. 0°		Pos. 30°	
	Main Boom	(ft)		
	67.9	82.0	67.9	82.0
16	12.3	-	-	-
19	12.3	-	-	-
23	11.6	9.9	-	-
26	10.2	9.3	-	-
29	8.6	8.1	8.2	-
33	6.9	6.7	7.6	7.4
36	5.9	5.7	6.6	6.6
39	5.1	4.9	5.8	5.6
42	4.5	4.3	5.0	4.9
46	3.7	3.5	4.1	4.1
49	3.3	3.1	3.7	3.5
52	2.9	2.7	3.1	3.1
56	2.4	2.3	2.6	2.6
59	2.2	1.9	2.4	2.4
62	1.8	1.7	2.0	2.0
65	1.5	1.4	1.8	1.8
69	1.3	1.0	1.5	1.5
72	1.1	-	-	1.1

No. of Hoist Lines

2

Sequence of Extended Boom (%)

Tel. I-III	75	100	75	100
------------	----	-----	----	-----



ISO 4305

DIN 15019.2

AC 30 City Capacities on Main Boom Extension

360°

Capacity (lb x 1000) = Load + Hook Block

Counterweight 5,072 lb  
Outrigger Base 19.5 x 13.1 ft

Main Boom Extension 42.7 ft

Radius (ft)	Pos. 0°		Pos. 30°	
	Main Boom	(ft)	Main Boom	(ft)
	67.9	82.0	67.9	82.0
23	4.8	-	-	-
26	4.8	4.4	-	-
29	4.8	4.4	-	-
33	4.6	4.4	-	-
36	4.6	4.4	-	-
39	4.4	4.2	-	-
42	4.2	4.1	3.7	-
46	3.9	3.7	3.5	3.3
49	3.5	3.3	3.5	3.3
52	3.1	2.9	3.3	3.3
56	2.6	2.4	3.2	3.0
59	2.4	2.2	2.8	2.8
62	2.0	1.8	2.6	2.4
65	1.8	1.5	2.2	2.2
69	1.5	1.3	1.9	1.9
72	1.3	1.1	1.7	1.7
75	1.1	-	1.5	1.5
79	-	-	1.3	1.3

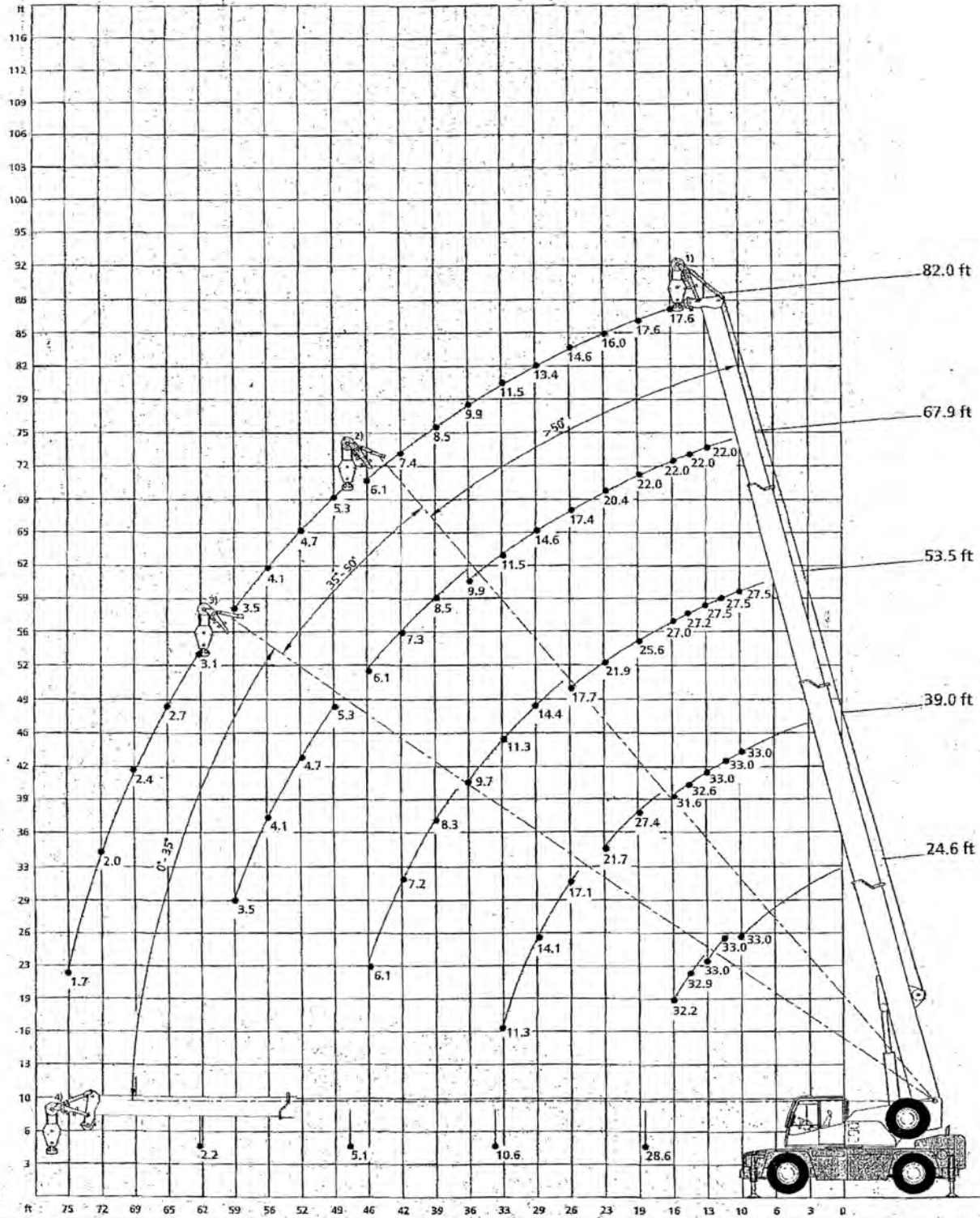
No. of Hoist Lines

1

Sequence of Extended Boom (%)

Tel. I-III	75	100	75	100
------------	----	-----	----	-----

## Working ranges runner



AC 25



ISO 4305

DIN 15019.2

### AC 30 City Capacities on Runner

360°

Capacity (lb x 1000) = Load + Hook Block

Counterweight 5,072 lb  
Outrigger Base 19.5 x 19.4 ft

Radius (ft)	Main Boom (ft)					
	24.6	39.0	53.5	67.9	82.0	
10	33.0	33.0	27.5	-	-	↑
11	33.0	33.0	27.5	-	-	long offset
13	33.0	33.0	27.5	22.0	-	offset
15	33.0	33.0	27.5	22.0	-	
16	33.0	33.0	27.5	22.0	17.6	
19	-	30.4	27.5	22.0	17.6	
23	-	23.3	23.5	21.5	17.6	
26	-	18.4	18.9	18.3	16.8	
29	-	15.3	15.5	15.6	14.5	
33	-	12.2	12.2	12.4	12.2	
36	-	-	10.4	10.6	10.6	
39	-	-	8.9	9.2	9.2	
42	-	-	7.9	7.9	8.1	
46	-	-	6.8	6.8	6.8	
49	-	-	-	6.0	6.0	↑
52	-	-	-	5.3	5.3	middle offset
56	-	-	-	4.5	4.5	HA (50°)
59	-	-	-	4.1	3.9	
62	-	-	-	-	3.5	↑
65	-	-	-	-	3.1	short offset
69	-	-	-	-	2.8	HA (35°)
72	-	-	-	-	2.4	
75	-	-	-	-	2.2	
Capacity horizontal (lb x 1000)						
	28.7	10.6	5.1	2.2	-	
only with short and middle offset						
No. of Hoist Lines						
	6	6	5	4	4	
Sequence of Extended Boom (%)						
Tel. I-III	0	25	50	75	100	



ISO 4305

DIN 15019.2

AC 30 City Capacities on Runner

360°

Capacity (lb x 1000) = Load + Hook Block

Counterweight 5,072 lb

Outrigger Base 19.5 x 13.1 ft

Radius (ft)	Main Boom (ft)					
	24.6	39.0	53.5	67.9	82.0	
10	33.0	33.0	27.5	-	-	↑ long offset
11	33.0	33.0	27.5	-	-	
13	33.0	33.0	27.5	22.0	-	
15	25.7	26.4	24.6	21.7	-	
16	22.6	23.4	22.6	20.3	18.0	
19	-	17.0	17.2	16.5	15.0	
23	-	11.8	12.1	12.3	11.6	
26	-	9.4	9.8	9.9	9.8	
29	-	7.7	8.0	8.2	8.2	
33	-	6.3	6.3	6.5	6.5	
36	-	-	5.3	5.5	5.5	
39	-	-	4.5	4.7	4.7	
42	-	-	3.8	4.0	4.0	
46	-	-	3.2	3.2	3.2	
49	-	-	-	2.8	2.8	↑ middle offset
52	-	-	-	2.4	2.4	
56	-	-	-	2.1	2.1	HA <del>A</del> (50°)
59	-	-	-	1.7	1.7	
62	-	-	-	-	1.5	↑ short offset
65	-	-	-	-	1.1	

Capacity horizontal (lb x 1000)

	12.1	4.9	2.2	-	-
--	------	-----	-----	---	---

only with short and middle offset

No. of Hoist Lines

	6	6	5	4	4
--	---	---	---	---	---

Sequence of Extended Boom (%)

Tel. I-III	0	25	50	75	100
------------	---	----	----	----	-----