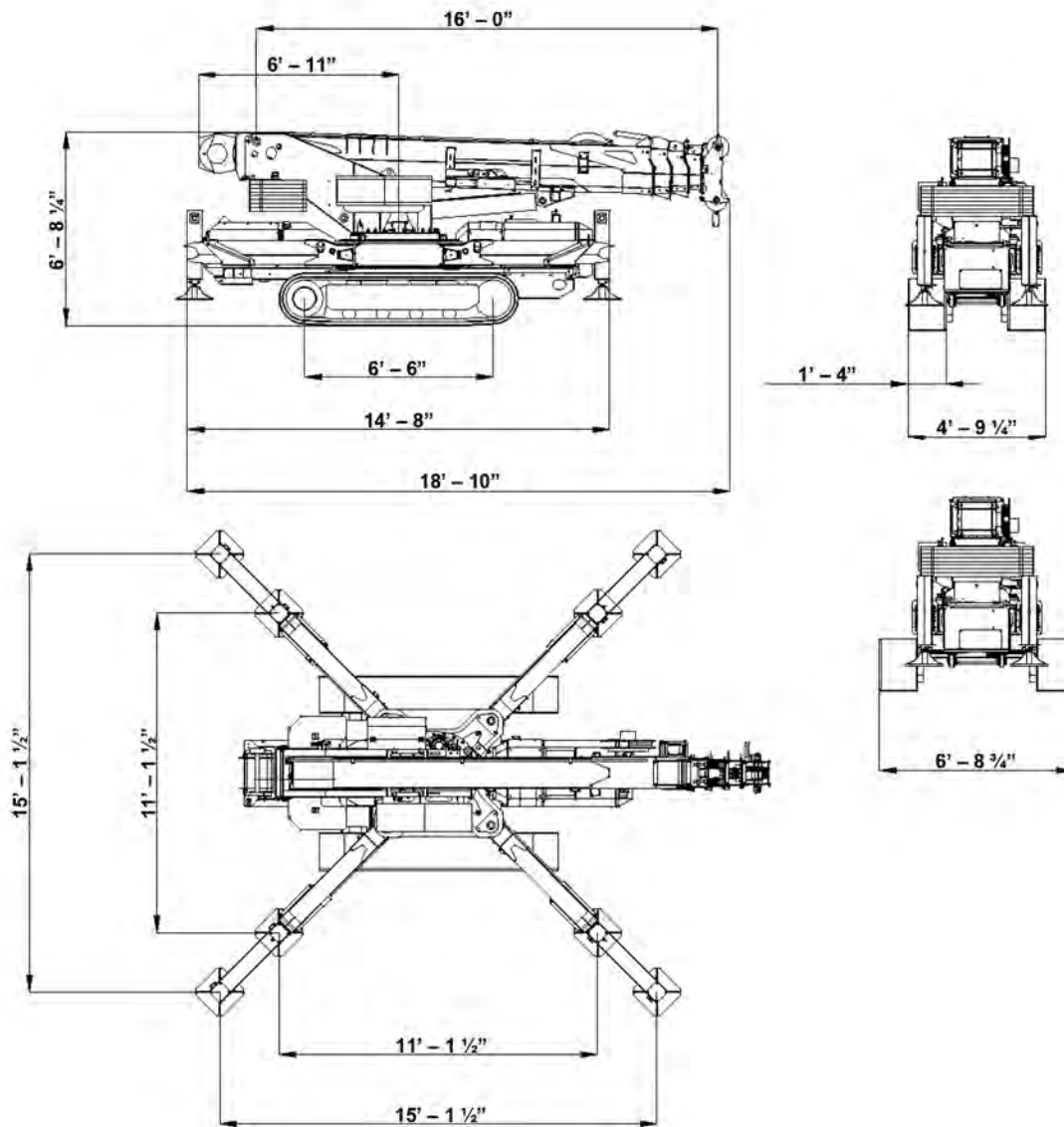




SPX1275

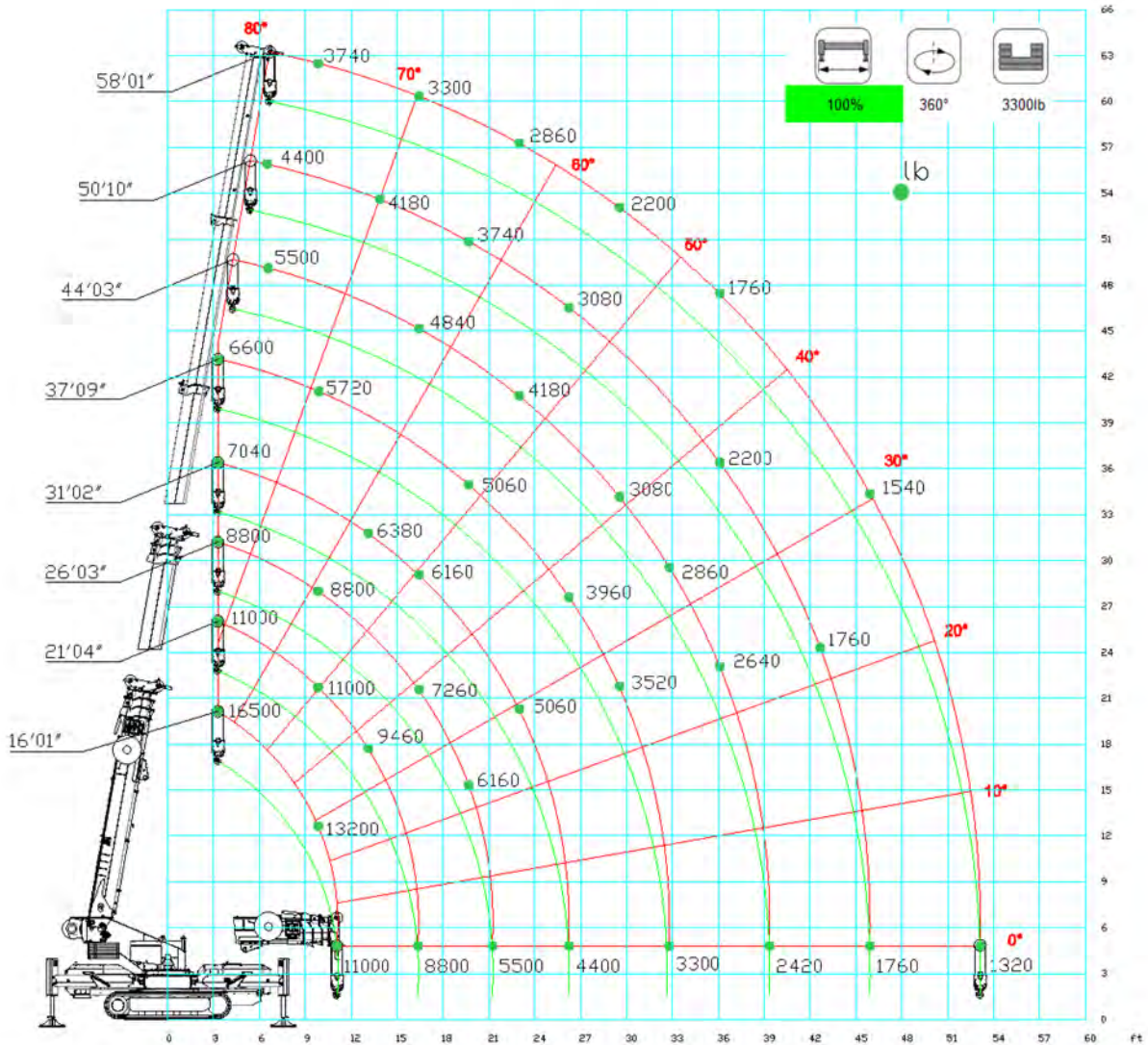
SPX1275CDH - OVERALL DIMENSIONS





SPX1275

SPX1275CDH – MAIN BOOM





[ft] [lb]														
		100%	360°	3300lb										
	16' 01"	18' 01"	21' 04"	26' 03"	26' 07"	27' 11"	31' 02"	34' 05"	37' 09"	44' 03"	47' 07"	54' 02"	58' 01"	
3' 03"	16500	14300	11000	8800	8140	7700	7040							
6' 07"	16500	14300	11000	8800	8140	7480	7040	6600	6160	5500	5060			
9' 10"	13200	12320	11000	8800	7920	7260	6600	6160	5720	5280	5060	3960	3740	
11' 02"	11000	10780	10120	8800	7700	7260	6600	6160	5720	5280	5060	3960	3740	
13' 01"		10560	9460	8800	7480	7040	6380	5940	5720	5060	5060	3960	3740	
16' 05"			8800	7260	6820	6820	6160	5720	5500	4840	4620	3740	3300	
19' 08"				6160	5940	5940	5720	5280	5060	4400	3960	3520	3080	
21' 04"				5500	5500	5500	5280	4840	4620	4180	3740	3300	2860	
21' 08"					5500	5500	5280	4840	4620	4180	3740	3300	2860	
23' 00"						5280	5060	4840	4620	4180	3740	3080	2860	
26' 03"							4400	4180	3960	3520	3300	2860	2640	
29' 06"								3740	3520	3080	2860	2420	2200	
32' 10"									3300	2860	2640	2200	1980	
36' 01"										2640	2420	1760	1760	
39' 04"											2420	2200	1760	1540
42' 08"												1980	1540	1540
45' 11"													1540	1540
49' 03"													1540	1320
53' 02"														1320
	I° SECTION				CHAIN SECTION									

LC 0275_V200_0715_MB_CW_1500_STAB_100



SPX1275

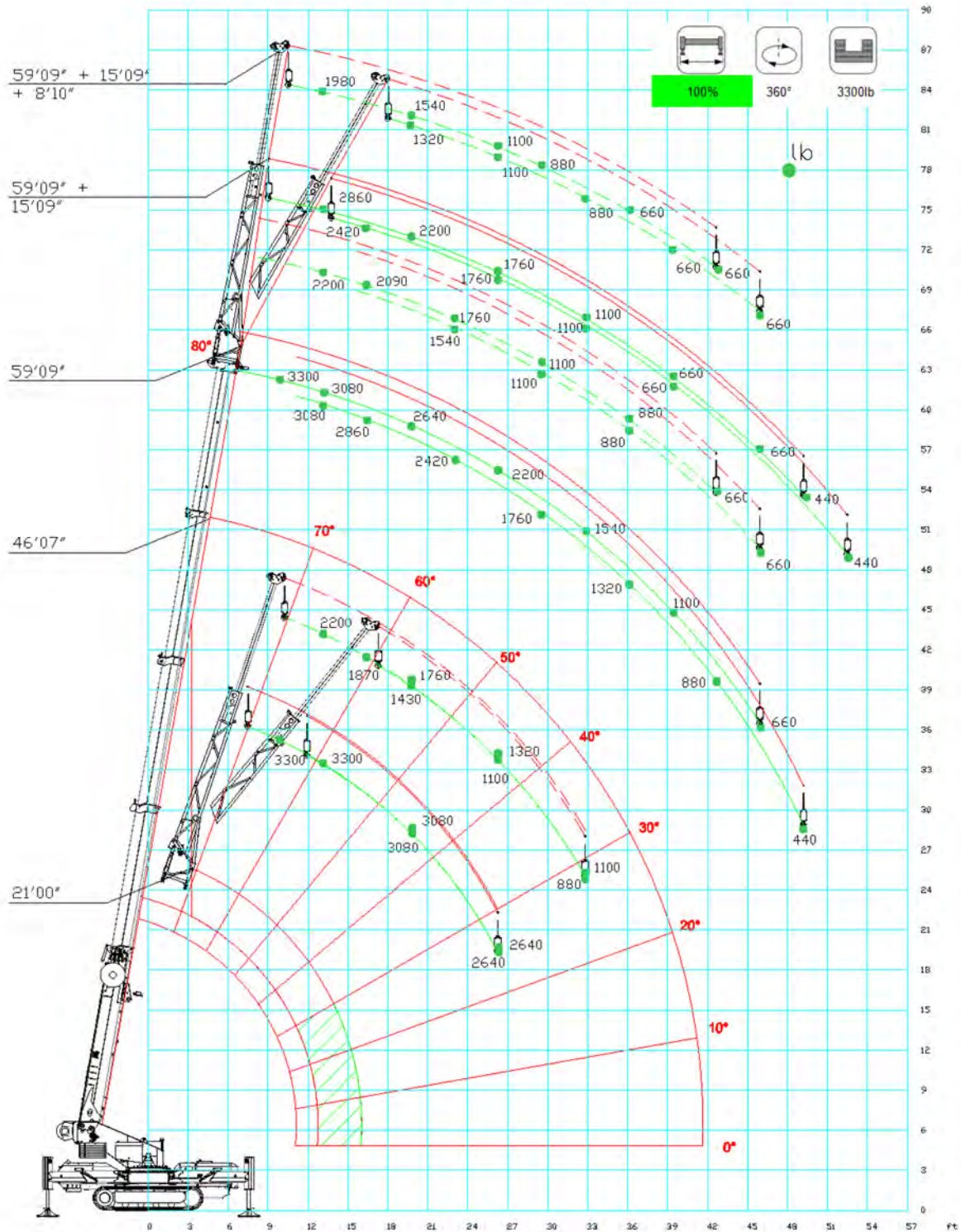
[ft] [lb]														
		50%	360°	3300lb										
	16' 01"	18' 01"	21' 04"	26' 03"	26' 07"	27' 11"	31' 02"	34' 05"	37' 09"	44' 03"	47' 07"	54' 02"	58' 01"	
3' 03"	16500	14300	11000	8800	8140	7700	7040							
6' 07"	16500	14300	11000	8800	8140	7480	7040	6600	6160	5500	5060			
9' 10"	9240	8800	7920	6600	6160	5940	5720	5500	5280	4840	4400	3300	3080	
11' 02"	8140	7920	7040	5940	5500	5060	4620	4400	4180	3740	3740	2860	2640	
13' 01"		7040	6160	5720	5280	4840	4400	3960	3740	3520	3300	2640	2420	
16' 05"			5500	4400	3960	3960	3960	3740	3520	3300	3080	2200	1980	
19' 08"				3960	3740	3740	3740	3520	3080	2860	2640	2200	1980	
21' 04"				3740	3520	3520	3520	3300	3080	2640	2420	1980	1760	
21' 08"					3520	3520	3520	3300	3080	2640	2420	1980	1760	
23' 00"						3300	3300	3080	3080	2640	2420	1980	1760	
26' 03"							2640	2640	2640	2420	2200	1760	1760	
29' 06"								2200	2200	1980	1980	1540	1320	
32' 10"									1760	1760	1540	1320	1100	
36' 01"										1540	1540	880	880	
39' 04"										1320	1320	880	880	
42' 08"											1100	880	880	
45' 11"												770	660	
49' 03"												770	660	
53' 02"													660	

LC1275_V200_075_MB_CW_1500_STAB_50



SPX1275

SPX1275CDH + JIB1500.1FL





SPK1275

[ft] [lb]						
	JIB1500.1FL	100%	360°	3300lb		
		21'00" + 15'09"		46'07" + 15'09"		59'09" + 15'09"
		0°	25°	0°	25°	0° 25°
9' 10"	3300		3300			
13' 01"	3300	3300	3080	3080	2860	
16' 05"	3300	3300	2860	2860	2420	2420
19' 08"	3080	3080	2640	2640	2200	2200
23' 00"	2860	2860	2420	2420	1980	1980
26' 03"	2640	2640	2200	2200	1760	1760
29' 06"			1760	1760	1320	1320
32' 10"			1540	1540	1100	1100
36' 01"			1320	1320	880	880
39' 04"			1100	1100	660	660
42' 08"			880	880	660	660
45' 11"			660	660	660	660
49' 03"				440	440	440
52' 06"						440

LC1275_V200_0715_JIB_0deg_STAB_100
 LC1275_V200_0715_JIB_25deg_STAB_100



SPK1275

[ft] [lb]						
	JIB1500.1FL + STINGER	100%	360°	3300lb		
		21'00" + 15'09" + 8'10"		46'07" + 15'09" + 8'10"		59'09" + 15'09" + 8'10"
		0°	25°	0°	25°	0° 25°
13' 01"	2200		2200			
16' 05"	1870		2090		1760	
19' 08"	1760	1430	1980	1760	1540	1320
23' 00"	1430	1210	1760	1540	1320	1320
26' 03"	1320	1100	1320	1320	1100	1100
29' 06"	1210	990	1100	1100	880	880
32' 10"	1100	880	1100	1100	880	880
36' 01"			880	880	660	660
39' 04"			660	660	660	660
42' 08"			660	660	660	660
45' 11"				660		660

LC1275_V200_0715_STINGER_0deg_STAB_100
 LC1275_V200_0715_STINGER_25deg_STAB_100