



PERFORMANCE
INNOVATION
SELECTION



RELIABILITY
WARRANTY
VISIBILITY

XR3034

Capacity 30,000 lbs
 Max Lift Height 34'
 Forward Reach 17' 6"
 Frame Leveling L/R 8°
 Weight 47,850 lbs
 Engine Perkins 130 hp
 Fuel Capacity 72 gal
 Tires Foam Filled
 16.0 x 25 - 28 E3
 GPM 49
 PSL 4,500
 Hydraulic Oil Cap 58 gal
 Length to fork face 23' 4"
 Width 102"
 Height 9' 6"
 Wheel Base 148"
 Ground Clearance 15"
 Turning Radius 16' 8"
 Warranty Xtreme 10-5-2



10-5-2 WARRANTY

10 YEARS OR **10,000** HOURS
FRAME & CHASSIS WELDMENT

5 YEARS OR **5,000** HOURS
BOOM WELDMENT & ROLLERS

2 YEARS OR **2,000** HOURS

ENGINE, ELECTRICAL, TRANSMISSION, DRIVE AXLES & HYDRAULIC COMPONENTS

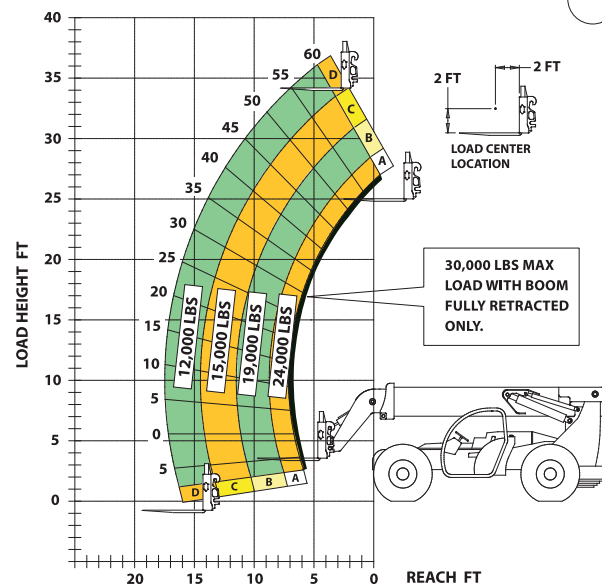
1415 W. Bonanza Rd. Las Vegas, NV
(702) 636-2969 (800) 497-1704

www.xtremefc.com

XR3034 LOAD CHART - STANDARD 6FT CARRIAGE

LOAD RATINGS SHOWN ARE FOR VEHICLES EQUIPPED WITH FOAM FILLED TIRES ONLY.

15,000 LBS AT 24 IN MIN CAPACITY FORK (30,000 LBS PAIR).



702-636-2969 • 800-497-1704
P/N 17094-000



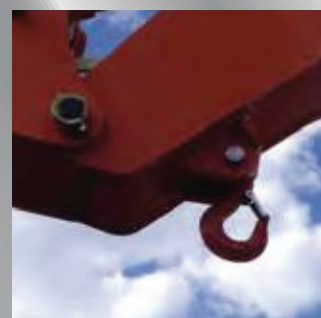
PERFORMANCE
INNOVATION
SELECTION



RELIABILITY
WARRANTY
VISIBILITY



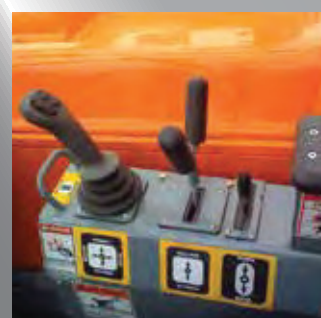
Long-Life Rollers



Boom Lift Point



360° Visibility



Operator Controls

The XTREME Difference



- 360° Visibility
- Long Life Boom Rollers
- Suspension Seat
- Easy Service Access
- Protected Tilt & Extend Cylinders
- Steel Hydraulic & Fuel Tanks
- Long Life Lexan Labels
- Fiberglass Hoods
- Heavy Duty Boom Chains
- Suspended Pedals
- Electrical Ring Terminals
- Wider Outrigger Stance
- Large Capacity Fuel Tanks
- Trunnion Mounted Sway Cylinders
- Melonite Pins
- Rear Axle Stabilization (RAS)
- Center Mounted Power Train
- Standard Auxiliary Hydraulics
- Solid Steel Plate Chassis
- Steel Dash
- Ductile Steel Manifold
- Easy Cab Mounted Grab Handles
- Reliable Perkins Engine
- Master Disconnect Switch
- Boom Lift Point
- Axle Mounted Outriggers
- Manual Lowering Valve (Cylinders)
- Large Cross Section Boom
- Easy Tie Downs
- "Y" Frame Sway Handle
- Heavy Duty Pre-Cleaner
- Additional High Pressure Hyd Filter
- Direct Engine/Trans Connection
- Individual Gauges and Switches

Attachments



- Standard Fixed Carriage (48", 60", 72", 96")
- Fork Positioning Carriage (48", 72", 96")
- Swing Carriage
- Tilt Carriage
- Personnel Platform
- Sling Mount
- Bucket (1.0 - 2.0 cu-yd)
- Truss (2 ft, 3 ft, 12 ft, 15 ft)
- Telescopic Truss (Slide on)
- Pole Grapple Carriage
- Grapple Bucket
- Concrete Hopper

Accessories / Options



- Enclosed Cab w/Heat
- Enclosed Cab w/Heat & A/C
- Boom Work Light Package
- Flashing Amber Strobe
- Pintle Hook
- Tail/Turn/Brake Lights
- LED Lighting
- Steel Fenders
- 5th Wheel Attachment
- Boom Maintenance Stand
- Battery Blanket
- Limited Slip Axle(s)
- Locking Fuel Cap
- Soft Cab
- Additional Lift Points
- Swivel Lifting Hook
- Auxiliary Cab Heater
- Dual Batteries
- Clear Glass
- Padded Arm Rest
- Two Wheel Rear Steer