

# 3300 Series

## product guide



### features

- 4 models ...
  - 3330F:** 8.5T (7.7mt) 3-section boom with 25 ft. 2 in. (7.6m) Tip Height
  - 3330FL:** 8.5T (7.7mt) 3-section boom with 33 ft. 6 in. (10.2m) Tip Height
  - 3339:** 9.0T (8.1mt) 3-section boom with 38 ft. 2 in. (11.6m) Tip Height
  - 3340B:** 10.5T (9.5mt) 3-section boom with 38 ft. 2 in. (11.6m) Tip Height
- 6 ft. (1.8m) fixed extension (3330F / FL) and 12 ft. (3.6m) offsettable swingaway extension (3339 & 3340B)
- 70 bhp (52.2 kW) GM EFI dual fuel engine or 99 bhp (73.8 kW) Cummins diesel engine

<b>contents</b>	
Features	<b>2</b>
Specifications	<b>3</b>
<b>3330F</b>	
Dimensions	<b>5</b>
Range Diagram	<b>6</b>
Load Chart	<b>7</b>
<b>3330FL</b>	
Dimensions	<b>8</b>
Range Diagram	<b>9</b>
Load Chart	<b>10</b>
<b>3339</b>	
Dimensions	<b>11</b>
Range Diagram	<b>12</b>
Load Chart	<b>13</b>
<b>3340B</b>	
Dimensions	<b>14</b>
Range Diagram	<b>15</b>
Load Chart	<b>16</b>



[www.manitowoccrane.com](http://www.manitowoccrane.com)

Industrial Hydraulic Crane

\*Product may be shown with optional equipment.

# features

2



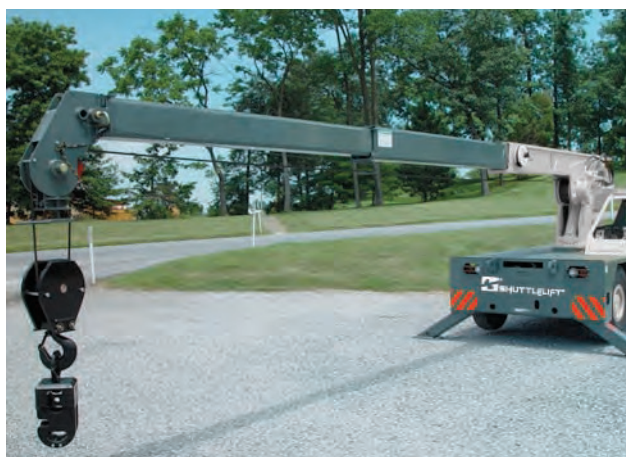
- Single position oblique style outriggers
- Narrow width for inside aisle way usage



**Standard:** Cummins QSB 3.3L turbo-charged diesel rated @ 99 bhp (73.8kW) @ 2600 rpm.



- Standard:** Open air cab shell w/overhead safety glass
- Optional:** Closed cab with hinged door, heater, and defroster



- Standard:** 21 ft. (6.4m) main boom on the 3330F  
30 ft. (9.1m) main boom on the 3330FL  
32 ft. 10 in. (10.0m) main boom on the 3339 & 3340B
- Optional:** Manual 4th main boom section adds 10 ft. (3.0m) additional main boom length on 3330F and 3330FL only.



- Standard:** 4-wheel coordinated steer
- Optional:** 2-wheel, 4-wheel, and crab steer (**std. on 3339**)
- Standard:** 2-wheel, 4-wheel, and crab steer with self alignment (**3340B**)

# specifications

**3**

## Superstructure

### Boom

3330F: 9 ft. 8 in. – 21 ft. 2 in. (2.9m – 6.5m) three- section full power boom.

Maximum tip height: 25 ft. 2 in. (7.6m)

3330FL: 12 ft. 8 in. – 30 ft. 2 in. (3.8m – 9.2m) three- section full power boom.

Maximum tip height: 33 ft. 6 in. (10.2m)

3339 & 3340B: 13 ft. 10 in. – 32 ft. 10 in. (4.2m – 10.0m) three- section full power boom.

Maximum tip height: 38 ft. 2 in. (11.6m)

### \*Optional Boom

3330F & 3330FL: Manual 4th main boom fly section

### \*Boom Extension

3330F & 3330FL: 6 ft. (1.8m) fixed pin on extension

3339 & 3340B: 12 ft. (3.6m) offsettable extension  
12-18 ft. (3.6-5.4m) telescopic offsettable extension

### Boom Nose

3330F / FL: Single sheave non-pivoting

3339 & 3340B only: Single sheave, 3-position (0°, + 30°, + 80°) pivoting boom nose for minimizing head space requirements.

Lowers head height 10.5 in. (0.26m) when nose is pivoted fully forward.

### Boom Elevation

Single double acting hydraulic cylinder with integral holding valve.

Elevation: 0° to 60° for the 3330F & 3330FL

0° to 72° for the 3339 & 3340B

### Anti-Two Block Device

Standard anti-two block device, when activated, provides an audible warning to the crane operator and disengages all crane functions whose movement can cause two-blocking.

### Load Indicator

A simple, effective, and easy to use load indicating system used in conjunction with the anti-two block system to assist the operator in efficient operation of the unit within the limits of the load chart. The display panel displays the hook load and warns the operator when a preset load capacity is exceeded. The warning is an audible alarm. In conjunction with the load display panel (receiver), there is a wireless transmitter and load sensing pin attached to the boom head that transmits the hook load to the display panel.

### \*Rated Capacity Limiter (RCL)

Similar to the Load Indicator, but stops the telescope out and boom lift down function when a load limit is exceeded. Uses a similar display panel with the addition of displaying boom angle and boom length read outs on the panel.

### \*Load Moment Indicator (LMI)

Digital display of boom angle, boom length, boom radius, capacity, and allows for operator in-put to set the limits based on load chart. Displays color coded light bar and audible alarm with function cutout if load exceeds entered parameters.

### Swing

Ball bearing swing circle with 360° continuous rotation.

Hydraulic driven worm gear and pinion.

Maximum speed: 2.05 rpm

### Hydraulic System

3330F & 3330FL: (2) gear pumps

3339 & 3340B: Variable displacement piston pump and piggyback gear pump.

Combined flow: 28.5gpm (107.9Lpm)

Maximum system operating pressure: 3600 psi

3330F & 3330FL: Six section valve bank mounted in dash panel with direct mechanical linkage for low effort lever control.

3339 & 3340B: Six section valve bank chassis mounted; operated via dash mounted, pilot pressure hydraulic joysticks.

Return line filter with full flow by-pass protection and service indicator.

23.5 gallon (89 L) hydraulic reservoir with sight level gauge and steel side plating to guard against side impact damage.

### Hoist Specifications

3330F / FL: Worm drive with counter-balance valving. Equal speed power up and down.

3339 & 3340B: Piston motor drive w/spring applied/hydraulic released brake.

Drum Diameter:

3330F / FL: 9.69 in. (0.24m)

3339 & 3340B: 10.63 in. (0.27m)

Maximum Single Line Pull:

3330F / FL: 10,700lb (4 854kg)

3339 & 3340B: 14,000lb (6 350 kg)

Maximum Single Line Speed:

3330F / FL: 88 FPM (26.8m / min)

3339 & 3340B: 120FPM (36.6m / min)

Maximum Permissible Single Line Pull:

3330F / FL : 8,500lb (3 855 kg)

(1/2" [12.7mm] Python Ultra XIPS)

3339 & 3340B: 10,000lb (4 536kg)

(9/16" [14.0mm] EEIPS)

Rope Length :

3330F / FL: (3-section boom) 97 ft. (29.6m)

(4-section boom) 130 ft. (39.6m)

3339 & 3340B: 120 ft. (36.6m)

\*Denotes optional equipment

**3300 Series**

# specifications

4

## Carrier

### Frame

High strength alloy steel constructed with integral outrigger housings; front and rear lifting, towing, and tie-down lugs. 42 ft.<sup>2</sup> carrydeck size with 14,000 lb (6 350kg) carrying capacity (3330F / FL / 3339) and 17,000 lb (7 711kg) carrying capacity (3340B). Deck coated with anti-skid treatment.

### Outriggers

3330F, 3330FL & 3339: Front and rear oblique type beams at all four corners with integral holding valves. Outrigger pads form an integral part of the beam.

3340B: Hydraulic telescoping beam with oblique type jack provides extended and down and retracted and down lifting capacities. Integral holding valves on both beam and jack.

### Outrigger Controls

3330F, 3330FL & 3339: Lever controls located on dash panel which operate the beams in pairs from side to side.

3340B: Two switch operation mounted on dash panel. One -3- position rocker switch to select all beams / jacks, left beams / jacks only, or right beams / jacks only. Separate -4- way toggle switch to activate beams out / in and jacks down / up. Level bubble indicator located inside operators compartment.

\*Independent outrigger controls available as an option.

### Std. Engine (Tier III)

Cummins QSB 3.3L turbo-charged diesel rated @ 99 bhp (73.8kW) @ 2600 rpm.

### \*Optional Engine

G.M. 3.0L EFI dual fuel (gasoline / L.P.) rated @ 70 bhp (52.2kW) @ 2600 rpm.

### Operators Control Station

Frame mounted, open air style control station with cab shell. Includes all crane functions, driving controls, and overhead safety glass. Other standard equipment include a durable weather resistant seat with seat belt, hourmeter, sight level bubble, and fire extinguisher. The dash panel includes engine oil pressure gauge, engine water temperature gauge, fuel gauge, transmission low oil and high temperature warning lights, low battery warning light, and brake system low pressure warning light. The LSI (load indicator) receiver is mounted to the top of the dash and provides warning for A2B and exceeded load capacity.

### \*Operators Control Station Enclosed

Includes the standard cab shell with the addition of front and rear glass. Hinged full door with sliding glass.

Front windshield wiper and heater and defroster is included.

### Fuel Tank Capacity

18.5 gallon (70 L) all steel construction with steel side plate to guard against side impact.

### Electrical System

One 12V maintenance free battery, 820CCA @ 0°.

Jump start connections  
63 amp alternator.

### Drive

4 x 2 – Front axle drive with planetary hubs and limited slip Differential.

### Steer

3330F / FL: 2-wheel, 4-wheel steer

3339: 2-wheel, 4-wheel w/crab steer

3340B: 2-wheel, 4-wheel, and crab steer w/ electronic self alignment.

### Transmission

3330F / FL & 3339: Clark synchromesh -4- speeds forward and reverse with stalk mounted forward/reverse selector.

3340B: Clark powershift -4- speeds forward and reverse. Stalk mounted shifter on left side of steering column.

### Axles

Front: Carraro planetary drive/steer with internal multi-wet-disc brakes and limited slip differential.

Rear: Fabricated non-drive steer with disc brakes

### Tires

10.00 x 15 14PR pneumatic

### Brakes

Hydraulic actuated internal wet-disc service brakes acting on all four wheels. A dash mounted toggle switch activates the dry disc parking brake on the transmission output yoke with a dash warning light.

### Suspension

Front: Rigid mounted to frame.

Rear: Rigid mounted to frame

### Lights

Recessed mounted, includes head, tail, rear work, stop, and turn signals.

### Maximum Speed

22 MPH (35.6km/h)

### Gradeability\*\*

3330F / FL & 3339: 57%....no load  
31%....12,000lb (5 443kg) load

3340B: 68%....no load  
40%....20,000lb (9 072kg) load

### G.V.W.

3330F: 13,400 lb. (6 078 kg)

3330FL: 15,180 lb (6 885 kg)

3339: 15,800 lb (7 167 kg)

3340B: 16,600 lb (7 530 kg)

### Miscellaneous Standard Equipment

Single sheave, "Quick Reeve" style hookblock.;

3330F/ FL 8.5T (8.0mt); 3339: 9T (8.1mt); 3340B10.5T (10mt).

Back-up alarm.

\*Denotes optional equipment

\*\*Theoretical

3300 Series

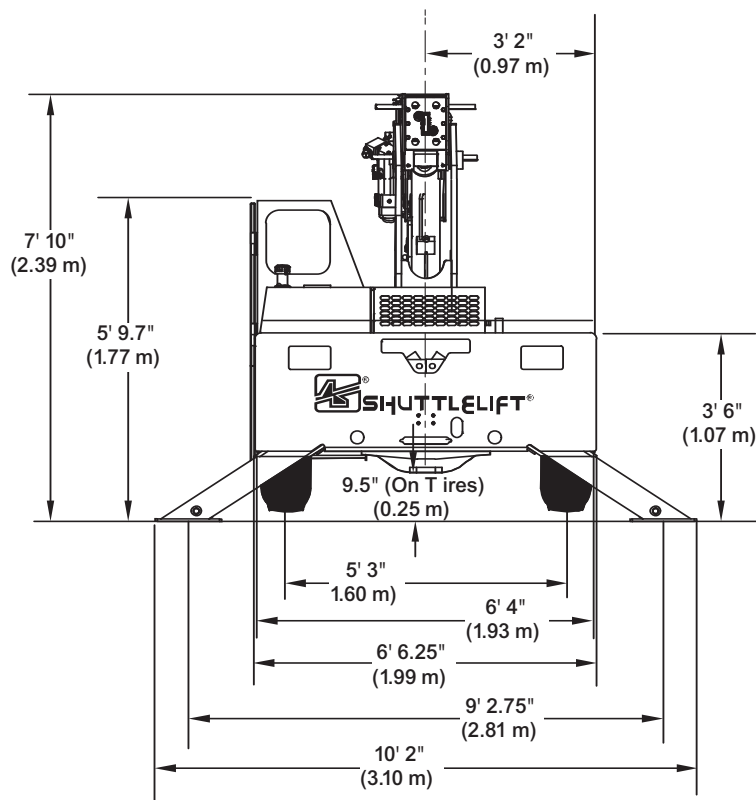
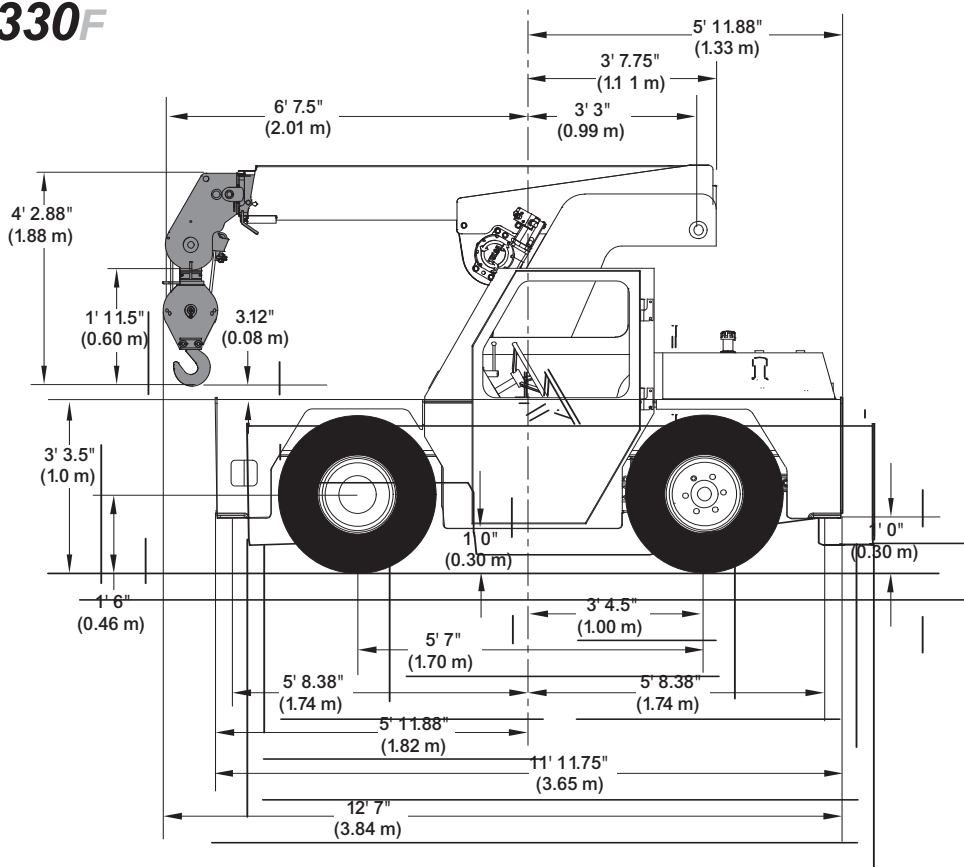




# dimensions

## 3330F

5



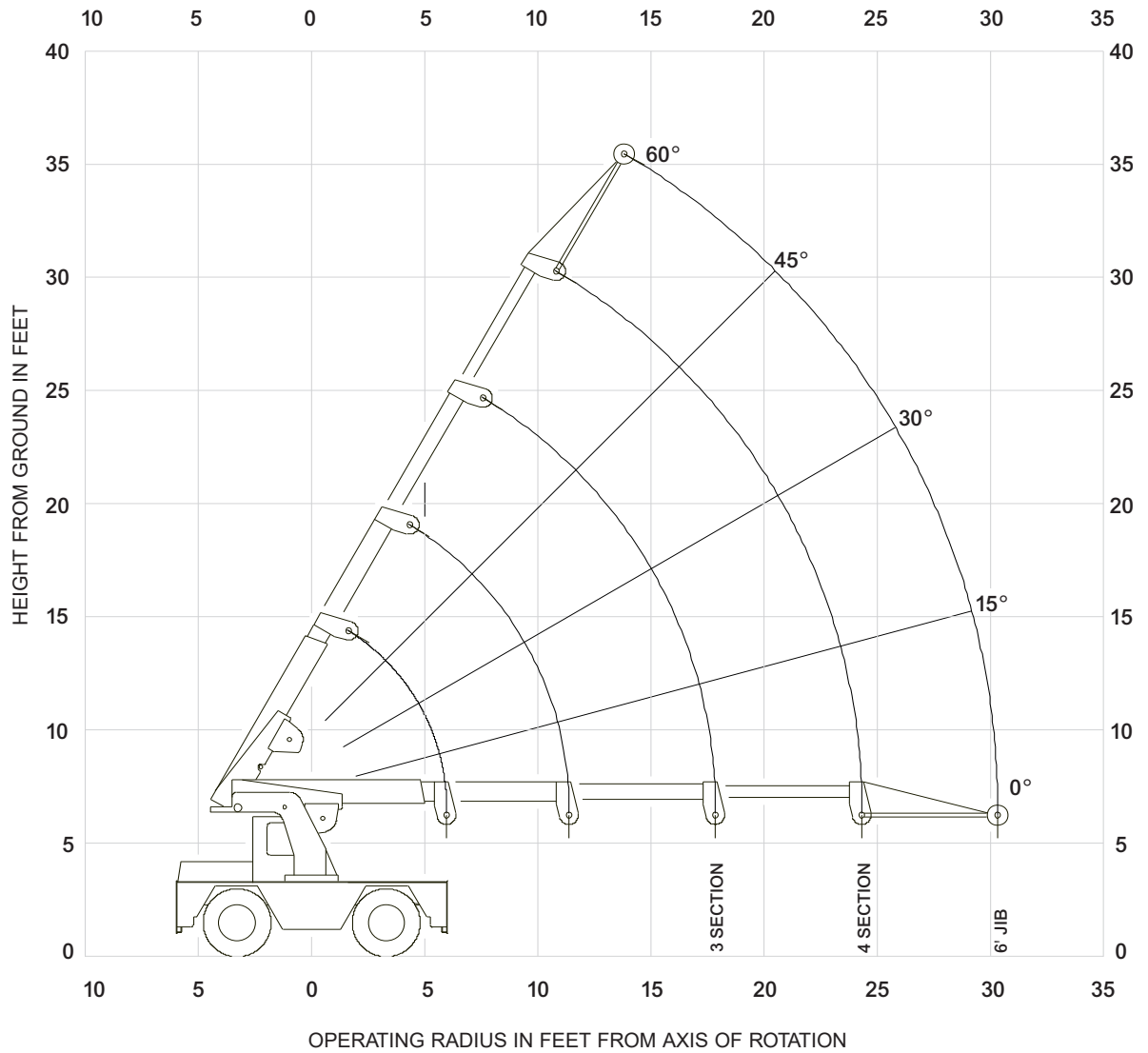
**3300 Series**



# range diagram

**3330F**

6



**3300 Series**

THIS CHART IS ONLY A GUIDE AND SHOULD NOT BE USED TO OPERATE THE CRANE. The individual crane's load chart, operating instructions and other instructional plates must be read and understood prior to operating the crane.

## load chart

### 3330F

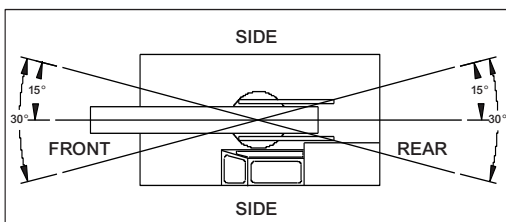
7

RADIUS (ft)	3-SECTION BOOM OR 4-SECTION BOOM WITH 4TH RETRACTED				MAIN BOOM	4-SECTION BOOM WITH 4TH EXTENDED				MAIN BOOM ANGLE (deg)	JIB STRUCTURAL CAPACITIES (lbs.)		
	ON OUTRIGGERS (lbs)		ON RUBBER (lbs)			ON OUTRIGGERS (lbs)		ON RUBBER (lbs)			3-SECTION BOOM OR 4-SECTION BOOM WITH 4TH RETRACTED	4-SECTION BOOM WITH 4TH EXTENDED	
	F/R	360°	F/R	360°		F/R	360°	F/R	360°				
5.0	17000	17000	10000	10000	MAIN BOOM	6100	6100	6100	6100	60	3500	3500	
6.0	15700	14400	10000	7450		6.0	6100	6100	6100	6100	55	3325	3325
8.0	12400	10800	7150	4400		8.0	5300	5300	5300	5250	50	3150	3150
10.0	10200	8600	4700	2950		10.0	4700	4700	4700	3750	45	3000	3000
12.0	8500	7000	3400	2175		12.0	4400	4400	3800	2450	40	2875	2875
14.0	7200	5400	2650	1700		14.0	4400	4400	2900	1875	35	2800	2800
16.0	6100	4300	2150	1325		16.0	4400	4400	2325	1525	30	2700	2700
18.0	5000	3550	1775	1100		18.0	4400	4100	1900	1225	25	2600	2600
20.0	2700	2700	1525	950		20.0	3700	3150	1600	1000	20	2500	2500
22.0	2600	2600	1350	825		22.0	3100	2700	1375	850	15	2400	2400
24.5	2200	2200	1150	675		24.5	2700	2300	1200	700	10	2325	2325
26.0	-	-	-	-		26.0	2300	2125	1100	650	5	2250	2250
28.0	-	-	-	-		28.0	2200	1900	975	575	0	2200	2200
30.0	-	-	-	-		30.0	-	1700	850	475			
31.0	-	-	-	-		31.0	-	1625	800	425			

\*LIMIT RATINGS TO 11,800 LBS WHEN 3RD SECTION IS EXTENDED ANY AMOUNT.

JIB CAPACITY IS LIMITED BY BOTH STRUCTURAL CAPACITY CHART AND MAIN CAPACITY CHART.

SHADED AREAS ARE GOVERNED BY STRUCTURAL STRENGTH, DO NOT RELY ON TIPPING.



REDUCTION CHART		
	FROM MAIN BOOM RATINGS	FROM JIB RATINGS
MAIN BLOCK	140 lbs	N/A
HOOK & BALL	100 lbs	100 lbs
JIB, STOWED	0 lbs	N/A
JIB, DEPLOYED	150 lbs	0 lbs

RIGGING CHART	
<p>1-PART 0-8500lbs</p>	<p>2-PART 0-17000lbs</p>
<p>WIRE ROPE: 1/2 inch diameter Min. breaking strength 29750 lbs.</p>	

- The rated loads are the maximum lift capacities as determined by operating radius, boom extension and boom angle. The operating radius is the horizontal distance from a projection of the axis of rotation to the supporting surface, before loading, to the center of vertical hoist line or tackle with load applied.
- The rated loads shown on outriggers do not exceed 85% of actual tipping. The rated loads shown on rubber do not exceed 75% of actual tipping. These ratings are based on freely suspended loads with the crane leveled, standing on a firm, uniform supporting surface. Practical working loads depend on supporting surface, operating radius and other factors affecting stability. Hazardous surroundings, climatic conditions, experience of personnel and proper training must all be taken into account by the operator.
- The weights of all load handling devices such as hooks, hook blocks, slings, etc., except the hoist rope, shall be considered as part of the load. See reduction chart.
- Ratings on outriggers are for either outriggers fully extended and down or fully retracted and down. Ratings for outriggers fully retracted and down will apply for any intermediate outrigger setting.
- Ratings on rubber depend on tire capacity, condition of tires and proper inflation pressure (100 psi). Loads on rubber may be transported at a maximum speed of 2.5 mph on a smooth hard level surface with boom retracted to the shortest length possible and centered over front.
- For operating radius not shown, use load rating of next larger radius.
- The maximum combined total boom and deck load is 12000 lbs. The maximum deck load only is 14000 lbs.
- Do not induce any external side loads to boom or jib.

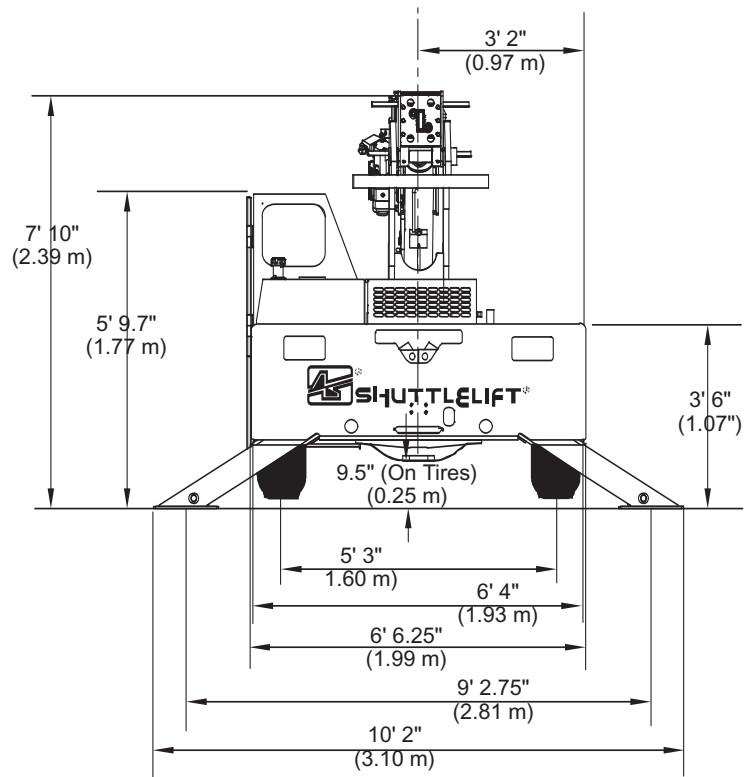
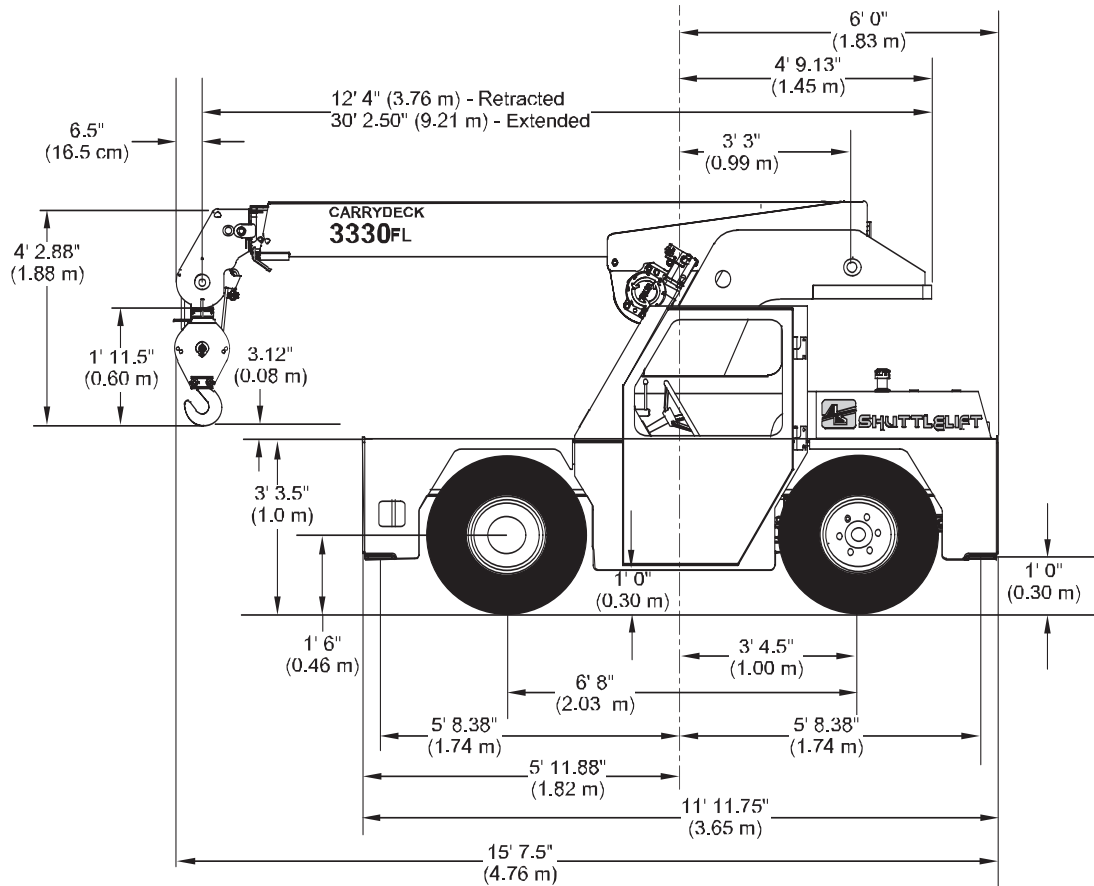
THIS CHART IS ONLY A GUIDE AND SHOULD NOT BE USED TO OPERATE THE CRANE. The individual crane's load chart, operating instructions and other instructional plates must be read and understood prior to operating the crane.

3300 Series

# dimensions

**3330FL**

8



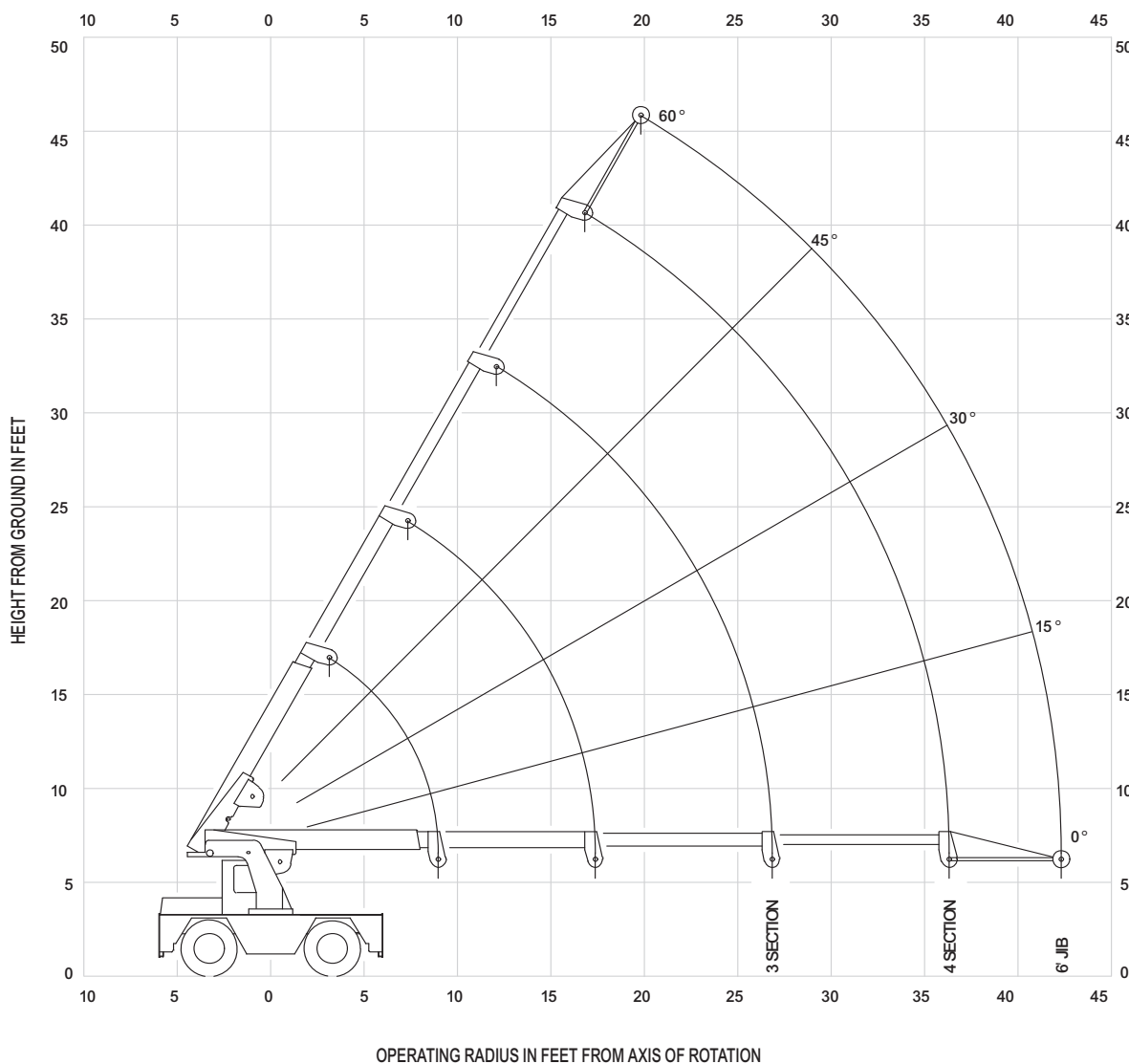
**3300 Series**





# range diagram

## 3330FL



9

THIS CHART IS ONLY A GUIDE AND SHOULD NOT BE USED TO OPERATE THE CRANE. The individual crane's load chart, operating instructions and other instructional plates must be read and understood prior to operating the crane.

3300 Series



## load chart

### 3330FL

# 10

OPERATING RADIUS	3-SECTION BOOM OR 4-SECTION BOOM WITH 4TH RETRACTED				OPERATING RADIUS	4-SECTION BOOM WITH 4TH EXTENDED			
	ON OUTRIGGERS		ON RUBBER			ON OUTRIGGERS		ON RUBBER	
	FRONT	360°	FRONT	360°		FRONT	360°	FRONT	360°
5.0 ft	17000 lbs	17000 lbs	10000 lbs	10000 lbs	5.0 ft	-	-	-	-
6.0 ft	15700 lbs	14400 lbs	9500 lbs	8200 lbs	6.0 ft	-	-	-	-
8.0 ft	12400 lbs	10800 lbs	8000 lbs	5600 lbs	8.0 ft	4900 lbs	4900 lbs	4900 lbs	4900 lbs
10.0 ft	10200 lbs	8500 lbs	5400 lbs	3800 lbs	10.0 ft	4300 lbs	4300 lbs	4300 lbs	4250 lbs
12.0 ft	8500 lbs	6950 lbs	3800 lbs	2700 lbs	12.0 ft	3800 lbs	3800 lbs	3800 lbs	3300 lbs
14.0 ft	7100 lbs	5800 lbs	2750 lbs	1950 lbs	14.0 ft	3400 lbs	3400 lbs	3400 lbs	2600 lbs
16.0 ft	6000 lbs	4650 lbs	2150 lbs	1450 lbs	16.0 ft	3100 lbs	3100 lbs	2900 lbs	2100 lbs
18.0 ft	5200 lbs	3800 lbs	1800 lbs	1150 lbs	18.0 ft	2900 lbs	2900 lbs	2900 lbs	1700 lbs
20.0 ft	4450 lbs	3150 lbs	1500 lbs	950 lbs	20.0 ft	2900 lbs	2900 lbs	1950 lbs	1350 lbs
22.0 ft	3800 lbs	2700 lbs	1300 lbs	800 lbs	22.0 ft	2900 lbs	2900 lbs	1600 lbs	1050 lbs
24.0 ft	3300 lbs	2350 lbs	1100 lbs	650 lbs	24.0 ft	2900 lbs	2650 lbs	1350 lbs	850 lbs
26.0 ft	2900 lbs	2050 lbs	950 lbs	550 lbs	26.0 ft	2900 lbs	2300 lbs	1100 lbs	700 lbs
27.0 ft	2750 lbs	1900 lbs	850 lbs	500 lbs	27.0 ft	2900 lbs	2150 lbs	1000 lbs	650 lbs
28.0 ft	2525 lbs	1775 lbs	800 lbs	475 lbs	28.0 ft	2750 lbs	2000 lbs	950 lbs	600 lbs
30.0 ft	2275 lbs	1600 lbs	700 lbs	400 lbs	30.0 ft	2450 lbs	1800 lbs	800 lbs	500 lbs
32.0 ft	2025 lbs	1425 lbs	600 lbs	325 lbs	32.0 ft	2200 lbs	1600 lbs	700 lbs	400 lbs
33.5 ft	1875 lbs	1300 lbs	525 lbs	275 lbs	33.5 ft	1950 lbs	1400 lbs	625 lbs	325 lbs
36.0 ft	-	-	-	-	36.0 ft	1750 lbs	1250 lbs	550 lbs	250 lbs
38.0 ft	-	-	-	-	38.0 ft	1625 lbs	1125 lbs	475 lbs	225 lbs
40.0 ft	-	-	-	-	40.0 ft	1475 lbs	1025 lbs	400 lbs	200 lbs
42.0 ft	-	-	-	-	42.0 ft	1350 lbs	925 lbs	350 lbs	150 lbs
43.0 ft	-	-	-	-	43.0 ft	1300 lbs	875 lbs	325 lbs	125 lbs

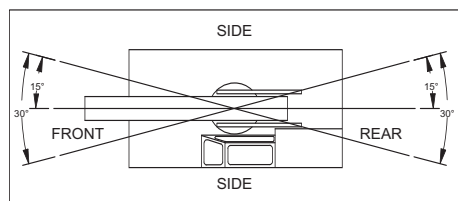
JIB STRUCTURAL CAPACITIES @ MAIN BOOM ANGLE (ALSO DO NOT EXCEED CAPACITIES IN ABOVE CHART)				
0°	15°	30°	45°	60°
2200 lbs	2400 lbs	2700 lbs	3000 lbs	3500 lbs

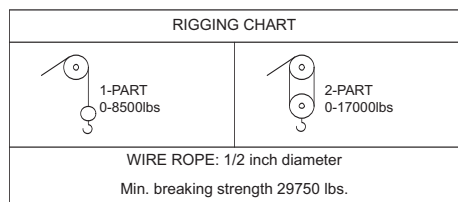
JIB STRUCTURAL CAPACITIES @ MAIN BOOM ANGLE (ALSO DO NOT EXCEED CAPACITIES IN ABOVE CHART)				
0°	15°	30°	45°	60°
2000 lbs	2100 lbs	2200 lbs	2600 lbs	3400 lbs

SHADED AREAS ARE GOVERNED BY STRUCTURAL STRENGTH, DO NOT RELY ON TIPPING.

OPERATION OF THIS EQUIPMENT IN EXCESS OF RATING CHARTS AND DISREGARD OF INSTRUCTIONS IS DANGEROUS AND VOIDS WARRANTY.



REDUCTION CHART		
	FROM MAIN BOOM RATINGS	FROM JIB RATINGS
MAIN BLOCK	140 lbs	N/A
HOOK & BALL	100 lbs	100 lbs
JIB, STOWED	0 lbs	N/A
JIB, DEPLOYED	150 lbs	0 lbs



- The rated loads are the maximum lifting capacities as determined by operating radius only. Any combination of boom lengths and angles may be used to obtain operating radius. The operating radius is the horizontal distance from a projection of the axis of rotation to the supporting surface, before loading, to the center of vertical hoist line or tackle with load applied.
- The rated loads shown on outriggers do not exceed 85% of actual tipping. The rated loads shown on rubber do not exceed 75% of actual tipping. These ratings are based on freely suspended loads with the machine leveled, standing on a firm, uniform supporting surface. Practical working loads depend on supporting surface, operating radius, and other factors affecting stability. Hazardous surroundings, experience of personnel and proper handling must all be taken into account by the operator.
- The weights of all load handling devices, such as hooks, hook blocks, slings, etc., except the hoist rope, shall be considered as part of the load. See reduction chart.
- Ratings on outriggers are with outriggers fully extended.
- Ratings on rubber depend on tire capacity, condition of tires, and proper inflation pressure (100 psi). Loads on rubber may be transported at a maximum speed of 2.5 mph on a smooth hard level surface with boom retracted to the shortest length possible and centered over front.
- For operating radius not shown, use load rating of the next larger radius.
- The maximum combined total boom and deck load is 12,000 lbs. For deck loads only, the maximum load is 14,000 lbs with 10:00 x 15 tires. Tire inflation at 100 psi.
- Do not induce external side loads to boom or jib.

# 3300 Series

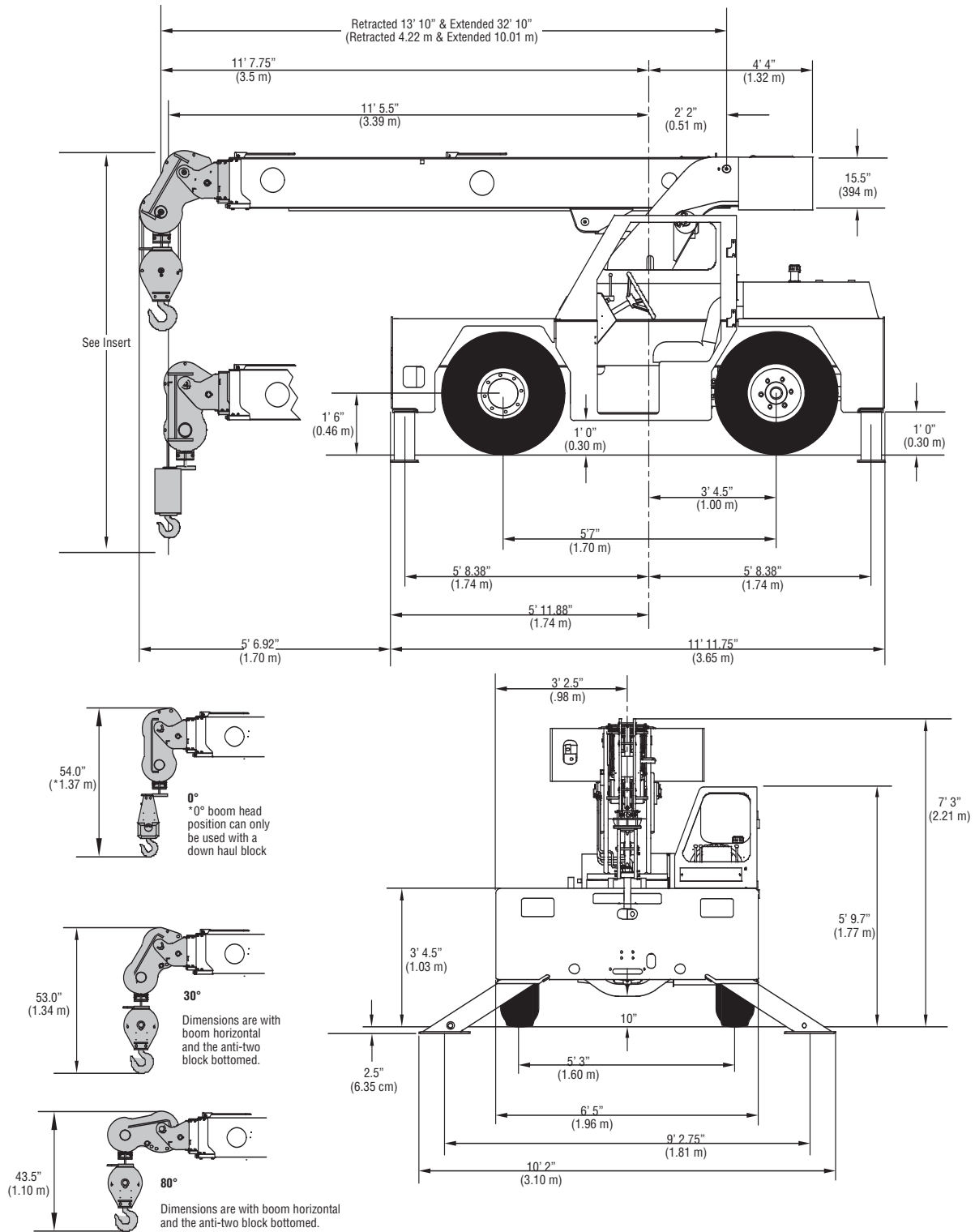
THIS CHART IS ONLY A GUIDE AND SHOULD NOT BE USED TO OPERATE THE CRANE. The individual crane's load chart, operating instructions and other instructional plates must be read and understood prior to operating the crane.



# dimensions

## 3339

# 11



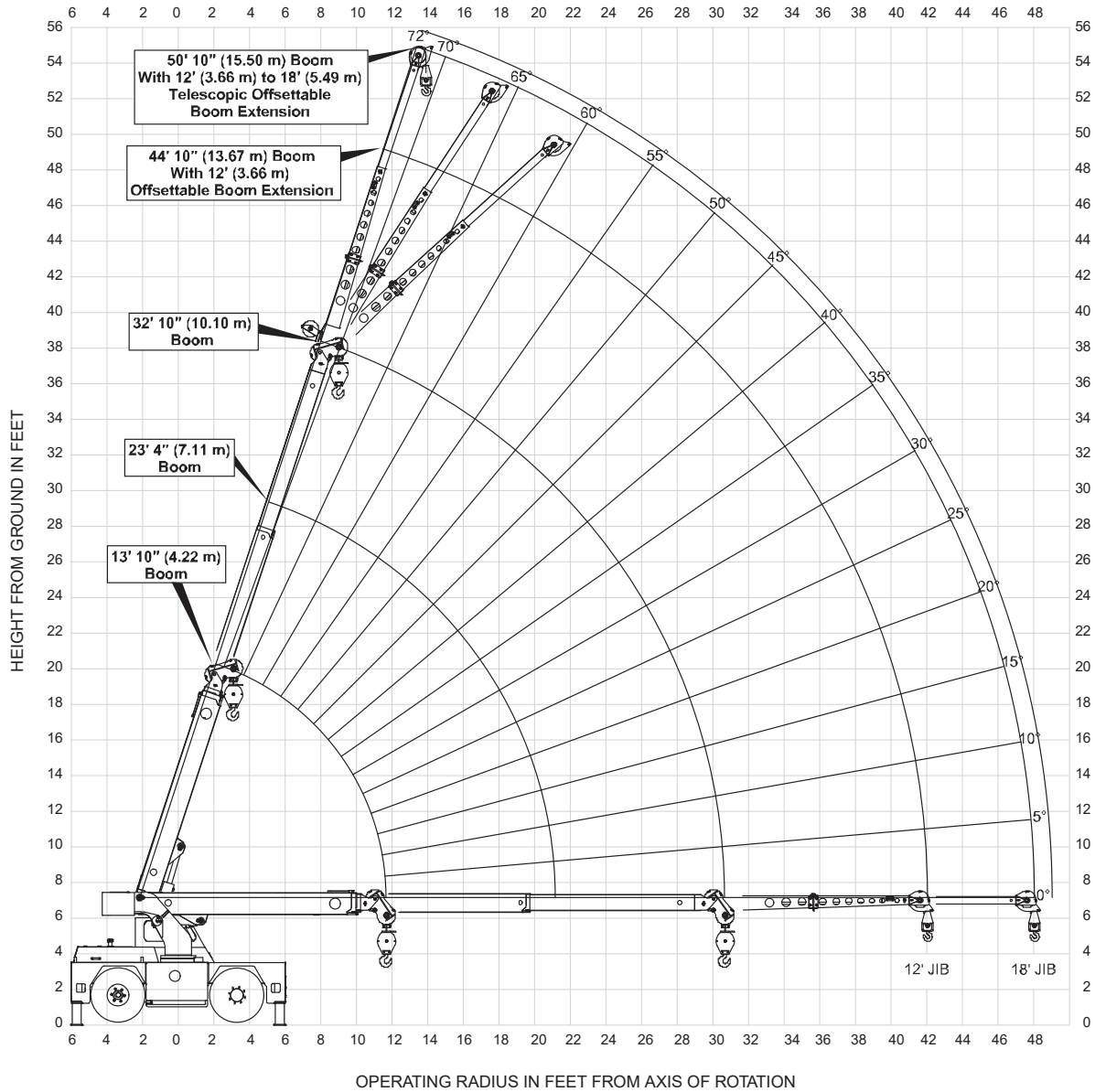
3300 Series

THIS CHART IS ONLY A GUIDE AND SHOULD NOT BE USED TO OPERATE THE CRANE. The individual crane's load chart, operating instructions and other instructional plates must be read and understood prior to operating the crane.

# range diagram

**3339**

**12**



**3300 Series**

THIS CHART IS ONLY A GUIDE AND SHOULD NOT BE USED TO OPERATE THE CRANE. The individual crane's load chart, operating instructions and other instructional plates must be read and understood prior to operating the crane.



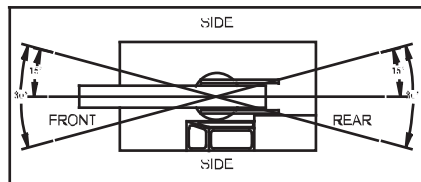
# load chart

## 3339

# 13

	RADIUS (ft)	ON OUTRIGGERS (lbs)				ON RUBBER (lbs)	
		F/R		360°		F/R	360°
		BOOM RETRACTED	BOOM EXTENDED	BOOM RETRACTED	BOOM EXTENDED	ANY BOOM	ANY BOOM
MAIN BOOM	5.0	18000	14700	18000	14700	11500	8400
	6.0	15700	14400	15000	14400	10000	7500
	8.0	12200	12200	11400	11400	8100	5040
	10.0	10200	10200	9100	9100	5480	3530
	12.0	8400	8400	7600	7600	3920	2560
	14.0	-	7200	-	6500	3040	1970
	16.0	-	6200	-	5310	2420	1560
	18.0	-	5400	-	4340	1970	1250
	20.0	-	4830	-	3610	1640	1020
	22.0	-	4000	-	3030	1370	800
	24.0	-	3480	-	2560	1160	710
	26.0	-	3020	-	2250	980	560
	28.0	-	2680	-	2010	830	490
	31.0	-	2270	-	1740	650	360
JIB	34.0	-	1950	-	1500	510	250
	36.0	-	1770	-	1350	430	180
	38.0	-	1560	-	1200	350	130
	40.0	-	1420	-	1050	280	80
	42.0	-	1270	-	930	210	60
	44.0	-	1200	-	880	190	40
	46.0	-	1160	-	820	170	20
	48.0	-	1110	-	760	140	0

MAIN BOOM ANGLE (deg)	JIB STRUCTURAL CAPACITIES (lbs)					
	12 FT JIB			18 FT JIB		
	0° OFFSET	15° OFFSET	30° OFFSET	0° OFFSET	15° OFFSET	30° OFFSET
72	7900	5100	3900	4000	3300	2300
70	7000	4800	3400	3750	3100	2200
68	5700	4100	3100	3200	2700	2000
60	4900	3600	2800	2800	2400	1800
55	3900	3000	2500	2450	2150	1700
50	2800	2500	2300	2150	1950	1600
45	2300	2200	2000	1900	1750	1500
40	2000	1900	1800	1700	1600	1400
35	1775	1675	1600	1525	1450	1350
30	1600	1500	1400	1400	1300	1300
25	1450	1400	-	1275	1200	-
20	1350	1350	-	1175	1125	-
15	1300	1300	-	1100	1100	-
10	1275	-	-	1050	-	-
5	1225	-	-	1025	-	-
0	1200	-	-	1000	-	-



- 1) The rated loads are the maximum lift capacities as determined by operating radius, boom extension and boom angle. The operating radius is the horizontal distance from a projection of the axis of rotation to the supporting surface, before loading, to the center of vertical hoist line or tackle with load applied.
- 2) The rated loads shown on outriggers do not exceed 85% of actual tipping. The rated loads shown on rubber do not exceed 75% of actual tipping. These ratings are based on freely suspended loads with the crane leveled, standing on a firm, uniform supporting surface. Practical working loads depend on supporting surface, operating radius and other factors affecting stability. Hazardous surroundings, climatic conditions, experience of personnel and proper training must all be taken into account by the operator.
- 3) The weights of all load handling devices such as hooks, hook blocks, slings, etc., except the hoist rope, shall be considered as part of the load. See reduction chart.
- 4) Ratings on outriggers are for outriggers fully extended.
- 5) Ratings on rubber depend on tire capacity, condition of tires and proper inflation pressure (100 psi). Loads on rubber may be transported at a maximum speed of 2.5 mph on a smooth hard level surface with boom retracted to the shortest length possible and centered over front.
- 6) For operating radius not shown, use load rating of next larger radius.
- 7) The maximum combined total boom and deck load is 12000 lbs. The maximum deck load only is 14000 lbs.
- 8) Do not induce any external side loads to boom or jib.

REDUCTION CHART		
	FROM MAIN BOOM RATINGS	FROM JIB RATINGS
MAIN BLOCK	140 lbs	N/A
HOOK & BALL	100 lbs	100 lbs
JIB, STOWED	0 lbs	N/A
JIB, DEPLOYED	450 lbs	0 lbs

RIGGING CHART	
1-PART 0-10000 lbs	2-PART 0-18000 lbs
WIRE ROPE: 9/16 inch diameter Min. breaking strength 35000 lbs.	

JIB CAPACITY IS LIMITED BY BOTH STRUCTURAL CAPACITY CHART AND MAIN CAPACITY CHART.

SHADED AREAS ARE GOVERNED BY STRUCTURAL STRENGTH. DO NOT RELY ON TIPPING.

OPERATION OF THIS EQUIPMENT IN EXCESS OF RATING CHARTS AND DISREGARD OF INSTRUCTIONS IS DANGEROUS AND VOIDS WARRANTY.

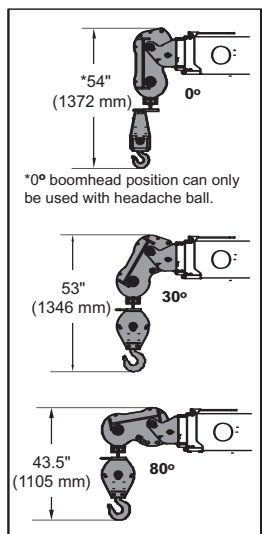
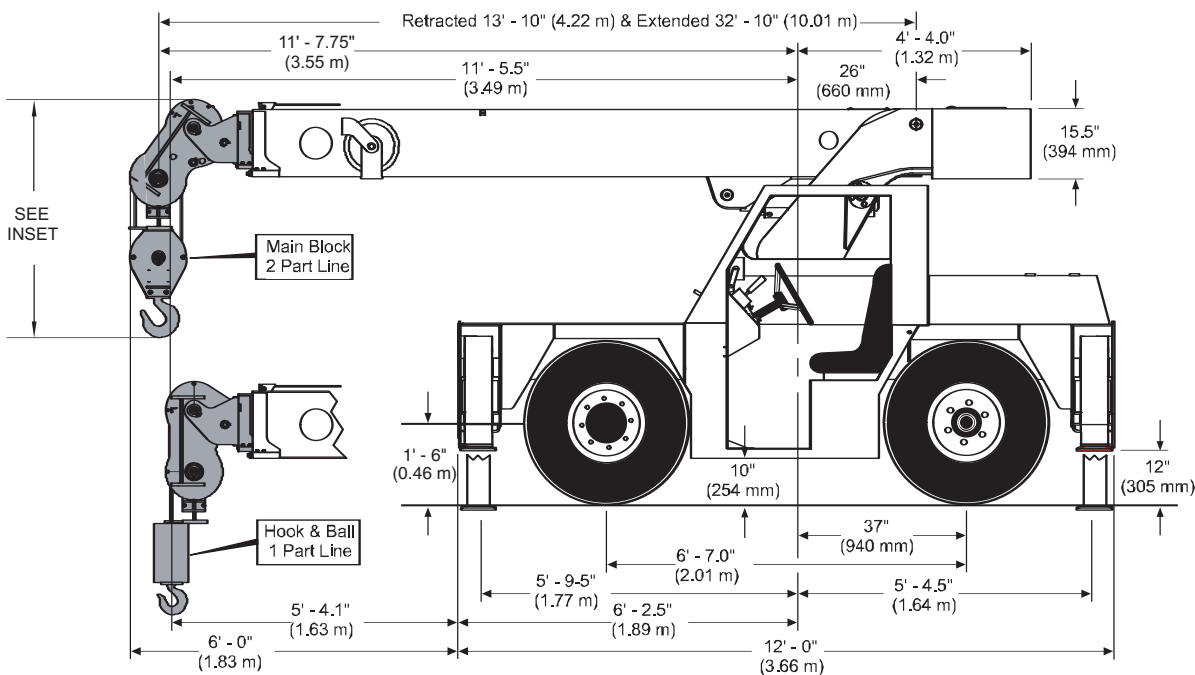
THIS CHART IS ONLY A GUIDE AND SHOULD NOT BE USED TO OPERATE THE CRANE. The individual crane's load chart, operating instructions and other instructional plates must be read and understood prior to operating the crane.



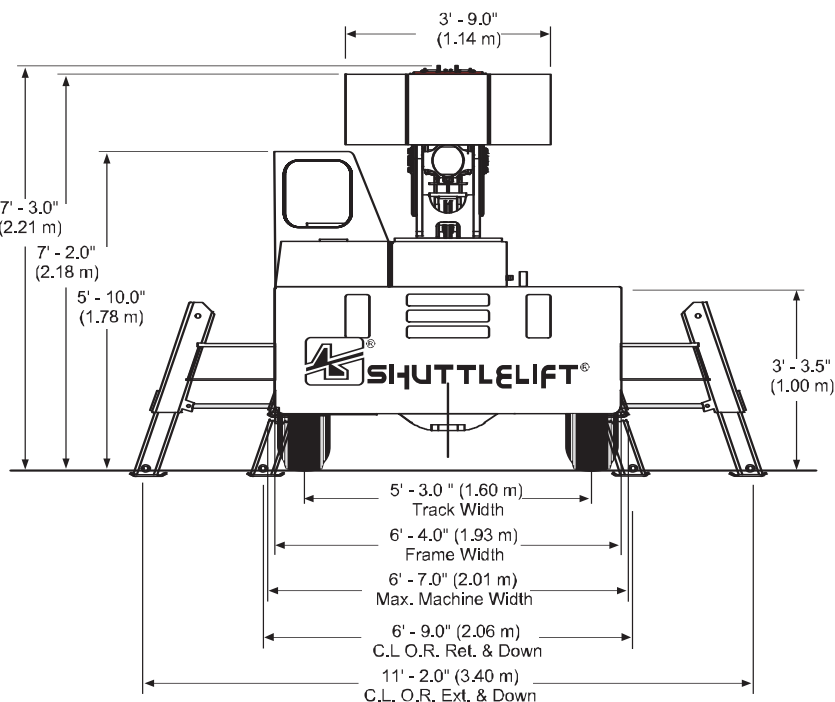
# dimensions

## 3340B

14



Dimensions are with the boom horizontal and the anti-two block bottomed.



3300 Series

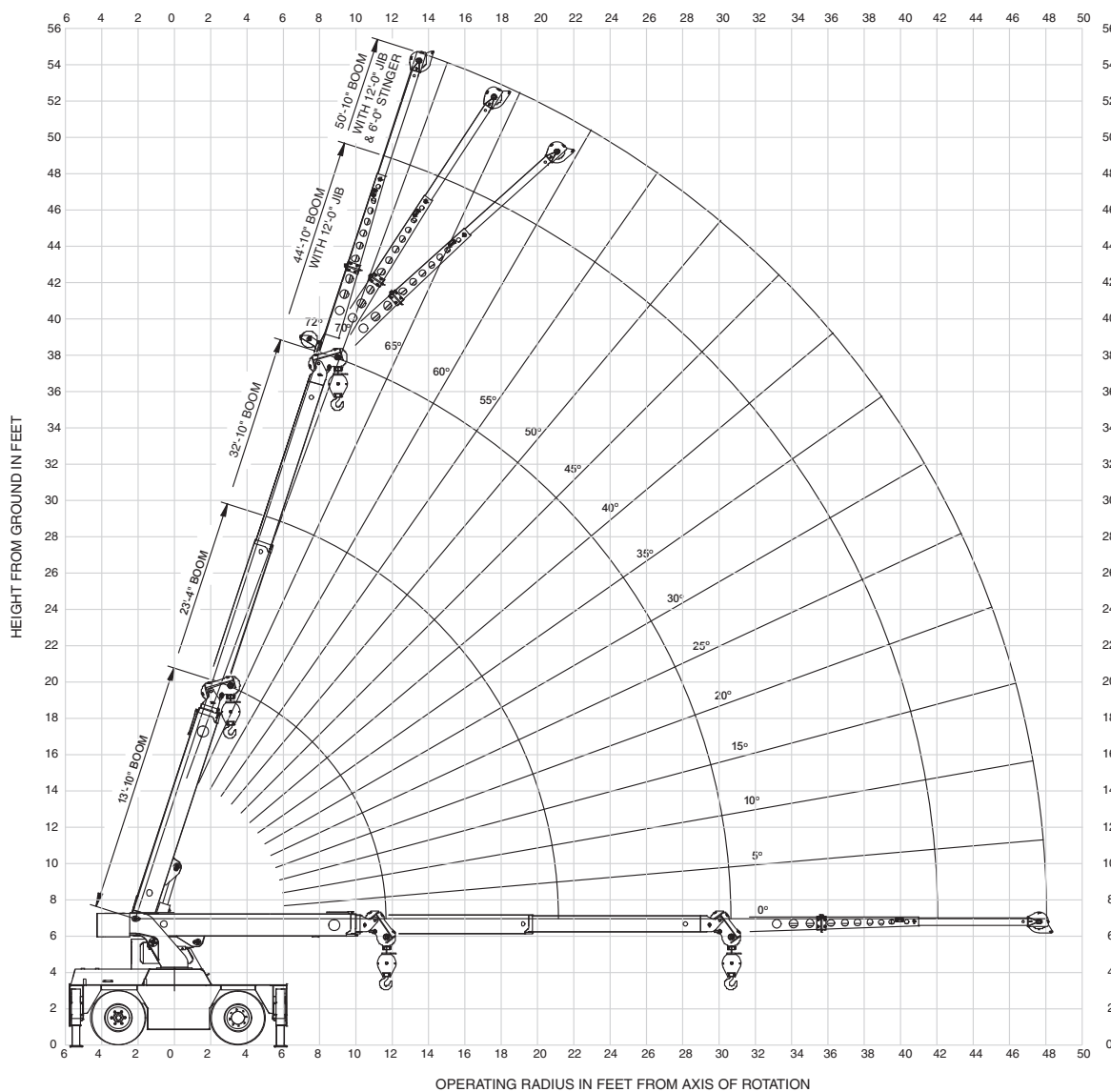
THIS CHART IS ONLY A GUIDE AND SHOULD NOT BE USED TO OPERATE THE CRANE. The individual crane's load chart, operating instructions and other instructional plates must be read and understood prior to operating the crane.



# range diagram

## 3340B

# 15



THIS CHART IS ONLY A GUIDE AND SHOULD NOT BE USED TO OPERATE THE CRANE. The individual crane's load chart, operating instructions and other instructional plates must be read and understood prior to operating the crane.

**3300 Series**



## load chart

### 3340B

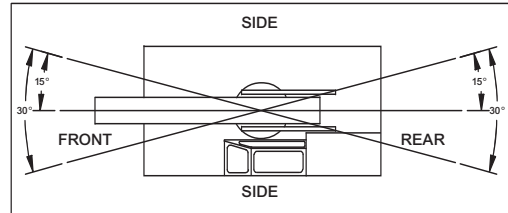
# 16

RADIUS (ft)	ON OUTRIGGERS (lbs)				ON RUBBER (lbs)		MAIN BOOM ANGLE (deg)	JIB STRUCTURAL CAPACITIES (lbs)						
	EXTENDED 360° RETRACTED F/R		RETRACTED 360°		F/R	360°		12 FT JIB			18 FT JIB			
	BOOM RETRACTED	BOOM EXTENDED	BOOM RETRACTED	BOOM EXTENDED	ANY BOOM	ANY BOOM		0 OFFSET	15 OFFSET	30 OFFSET	0 OFFSET	15 OFFSET	30' OFFSET	
MAIN BOOM	4.0	21000	15000	21000	15000	11500	11500	72	7500	5100	3500	4000	3300	2300
	5.0	18000	14700	18000	14700	11500	9400	70	7000	4800	3400	3750	3100	2200
	6.0	15700	14400	14400	14400	10000	7800	65	5700	4100	3100	3200	2700	2000
	8.0	12200	12200	9400	9400	8100	5900	60	4500	3500	2800	2800	2400	1850
	10.0	10200	10200	6700	6700	6100	4100	55	3500	3000	2550	2450	2150	1700
	12.0	8400	8400	5000	5000	4600	3000	50	2800	2500	2300	2150	1950	1600
	14.0	-	7100	-	3800	3600	2400	45	2300	2200	2000	1900	1750	1500
	16.0	-	6000	-	3100	2900	2000	40	2000	1900	1800	1700	1600	1400
	18.0	-	5000	-	2600	2400	1600	35	1775	1675	1600	1525	1450	1350
	20.0	-	4300	-	2100	2000	1200	30	1600	1500	1400	1400	1300	1300
	22.0	-	3700	-	1800	1700	1050	25	1450	1400	-	1275	1200	-
	24.0	-	3300	-	1500	1500	950	20	1350	1350	-	1175	1125	-
	26.0	-	2900	-	1300	1300	800	15	1300	1300	-	1100	1100	-
	28.0	-	2600	-	1150	1150	700	10	1275	-	-	1050	-	-
31.0	-	2300	-	1000	900	500	5	1225	-	-	1025	-	-	
JIB	34.0	-	1975	-	850	700	350	0	1200	-	-	1000	-	-
	36.0	-	1775	-	750	600	275							
	38.0	-	1575	-	625	500	200							
	40.0	-	1425	-	525	425	125							
	42.0	-	1300	-	425	350	75							
	44.0	-	1200	-	375	300	0							
	46.0	-	1100	-	325	275	0							
	48.0	-	1000	-	300	250	0							

JIB CAPACITY IS LIMITED BY BOTH STRUCTURAL CAPACITY CHART AND MAIN CAPACITY CHART.

OPERATION OF THIS EQUIPMENT IN EXCESS OF RATING CHARTS AND DISREGARD OF INSTRUCTIONS IS DANGEROUS AND VOIDS WARRANTY.

SHADED AREAS ARE GOVERNED BY STRUCTURAL STRENGTH, DO NOT RELY ON TIPPING.



REDUCTION CHART		
	FROM MAIN BOOM RATINGS	FROM JIB RATINGS
MAIN BLOCK	140 lbs	N/A
HOOK & BALL	100 lbs	100 lbs
JIB, STOWED	0 lbs	N/A
JIB, DEPLOYED	450 lbs	0 lbs

RIGGING CHART	
1-PART 0-10000 lbs	2-PART 0-21000 lbs
WIRE ROPE: 9/16 inch diameter Min. breaking strength 36750 lbs.	

- The rated loads are the maximum lift capacities as determined by operating radius, boom extension and boom angle. The operating radius is the horizontal distance from a projection of the axis of rotation to the supporting surface, before loading, to the center of vertical hoist line or tackle with load applied.
- The rated loads shown on outriggers do not exceed 85% of actual tipping. The rated loads shown on rubber do not exceed 75% of actual tipping. These ratings are based on freely suspended loads with the crane leveled, standing on a firm, uniform supporting surface. Practical working loads depend on supporting surface, operating radius and other factors affecting stability. Hazardous surroundings, climatic conditions, experience of personnel and proper training must all be taken into account by the operator.
- The weights of all load handling devices such as hooks, hook blocks, slings, etc., except the hoist rope, shall be considered as part of the load. See reduction chart.
- Ratings on outriggers are for either outriggers fully extended and down or fully retracted and down. Ratings for outriggers fully retracted and down will apply for any intermediate outrigger setting.
- Ratings on rubber depend on tire capacity, condition of tires and proper inflation pressure (100 psi). Loads on rubber may be transported at a maximum speed of 2.5 mph on a smooth hard level surface with boom retracted to the shortest length possible and centered over front.
- For operating radius not shown, use load rating of next larger radius.
- The maximum combined total boom and deck load is 12000 lbs. The maximum deck load only is 14000 lbs.
- Do not induce any external side loads to boom or jib.

THIS CHART IS ONLY A GUIDE AND SHOULD NOT BE USED TO OPERATE THE CRANE. The individual crane's load chart, operating instructions and other instructional plates must be read and understood prior to operating the crane.

# 3300 Series



**notes**

**17**

**3300 Series**





**notes**

**18**

**3300 Series**





**notes**

**19**

**3300 Series**





## Regional Headquarters

### Americas

Manitowoc, Wisconsin, USA

Tel: +1 920 684 6621

Fax: +1 920 683 6278

Shady Grove, Pennsylvania, USA

Tel: +1 717 597 8121

Fax: +1 717 597 4062

## Regional Offices

### Americas

#### Brazil

Alphaville

Tel: +55 11 3103 0200

Fax: +55 11 4688 2013

#### Mexico

Monterrey

Tel: +52 81 8124 0128

Fax: +52 81 8124 0129

### Europe, Middle East, Africa

#### Algeria

Hydra

Tel: +21 3 21 48 1173

Fax: +21 3 21 48 1454

#### Czech Republic

Netvorice

Tel: +420 317 78 9313

Fax: +420 317 78 9314

#### France

Baudemont

Tel: +33 385 28 2589

Fax: +33 385 28 0430

Cergy

Tel: +33 130 31 3150

Fax: +33 130 38 6085

Decines

Tel: +33 472 81 5000

Fax: +33 472 81 5010

#### Germany

Langenfeld

Tel: +49 21 73 8909-0

Fax: +49 21 73 8909 30

#### Hungary

Budapest

Tel: +36 13 39 8622

Fax: +36 13 39 8622

#### Italy

Parabiago

Tel: +390 331 49 3311

Fax: +390 331 49 3330

### Europe, Middle East, Africa

Ecully, France

Tel: +33 472 18 2020

Fax: +33 472 18 2000

### Netherlands

Breda

Tel: +31 76 578 3999

Fax: +31 76 578 3978

### Poland

Warsaw

Tel: +48 22 843 3824

Fax: +48 22 843 3471

### Portugal

Alfena

Tel: +351 229 69 8840

Fax: +351 229 69 8848

Lisbon

Tel: +351 212 109 340

Fax: +351 212 109 349

### Russia

Moscow

Tel: +7 495 641 2359

Fax: +7 495 641 2358

### U.A.E.

Dubai

Tel: +971 4 3381 861

Fax: +971 4 3382 343

### U. K.

Middlesex

Tel: +44 1 895 43 0053

Fax: +44 1 895 45 9500

Sunderland

Tel: +44 191 522 2000

Fax: +44 191 522 2052

### Asia - Pacific

#### Australia

Melbourne

Tel: +61 3 9 336 1300

Fax: +61 3 9 336 1322

Sydney

Tel: +61 2 9 896 4433

Fax: +61 2 9 896 3122

### Asia - Pacific

Shanghai, China

Tel: +86 21 51113579

Fax: +86 21 51113578

Singapore

Tel: +65 6264 1188

Fax: +65 6862 4142

### China

Beijing

Tel: +86 10 58674761

Fax: +86 10 58674760

Xi'an

Tel: +86 29 87891465

Fax: +86 29 87884504

### Korea

Seoul

Tel: +82 2 3439 0400

Fax: +82 2 3439 0405

### Philippines

Makati City

Tel: +63 2 844 9437

Fax: +63 2 844 4712

### Factories

Brazil

Alphaville

China

Zhangjiagang

France

Charlieu

La Clayette

Moulins

Germany

Wilhelmshaven

India

Calcutta

Pune

Italy

Niella Tanaro

Portugal

Baltar

Fânzeres

Slovakia

Saris

U.S.A.

Manitowoc

Port Washington

Shady Grove



Constant improvement and engineering progress make it necessary that we reserve the right to make specification, equipment and price changes without notice. Illustrations shown may include optional equipment and accessories, and may not include all standard equipment.

©2008 MANITOWOC

Printed in USA

Form No. 3300 Series

Part No. 08-006 / 0208 / 2M



www.manitowoccrane.com

## Bigge Crane and Rigging Co.

10700 Bigge Avenue

San Leandro, CA 94577

Phone: (888) 337-BIGGE or (510) 638-8100

Fax: (510) 639-4053

Email: info@bigge.com

Web site: www.bigge.com