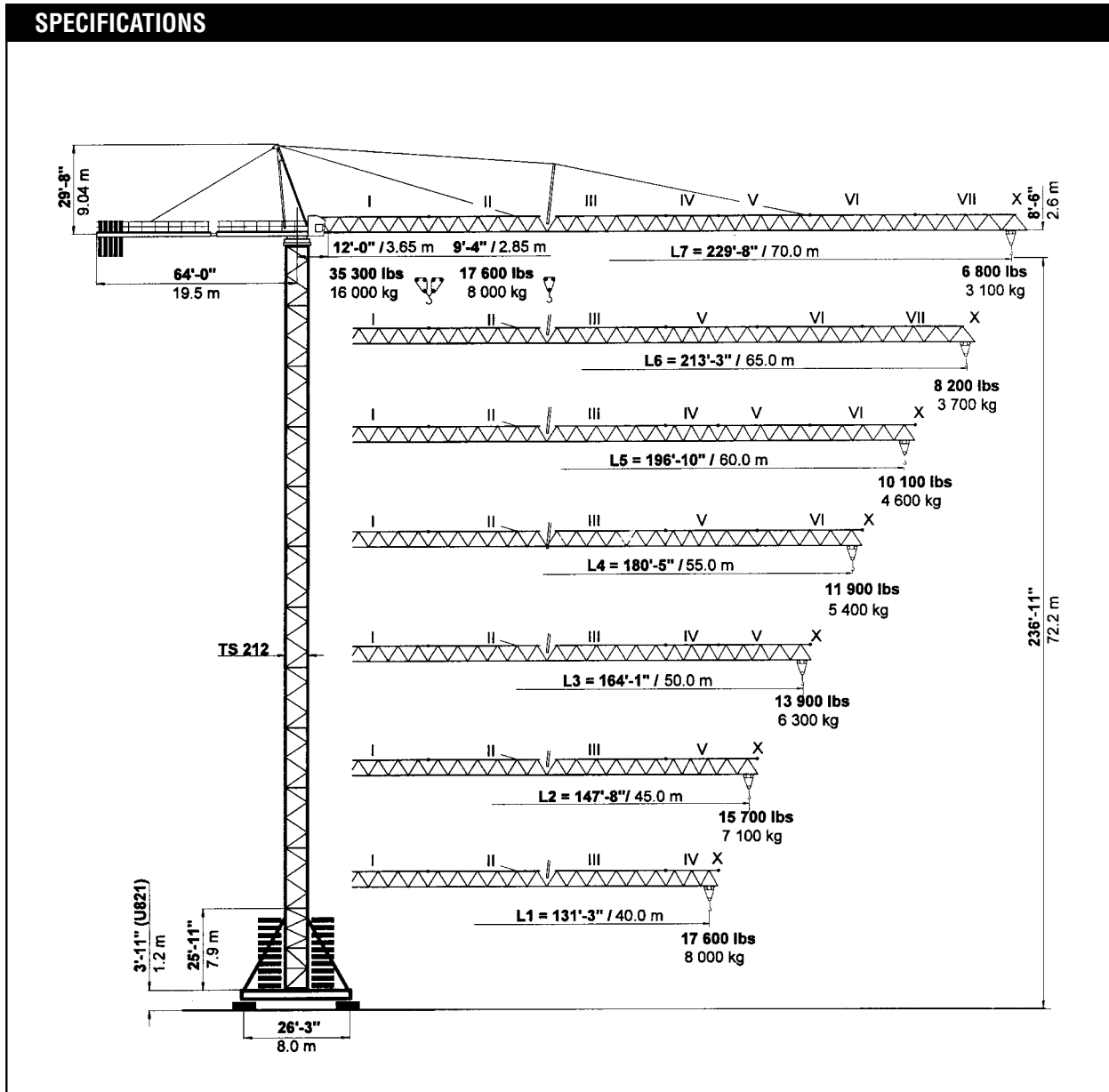




PEINER SK 315

Hammerhead Tower Crane
17,600-35,300 lbs. (8-16 mt)
Lifting Capacity

SPECIFICATIONS

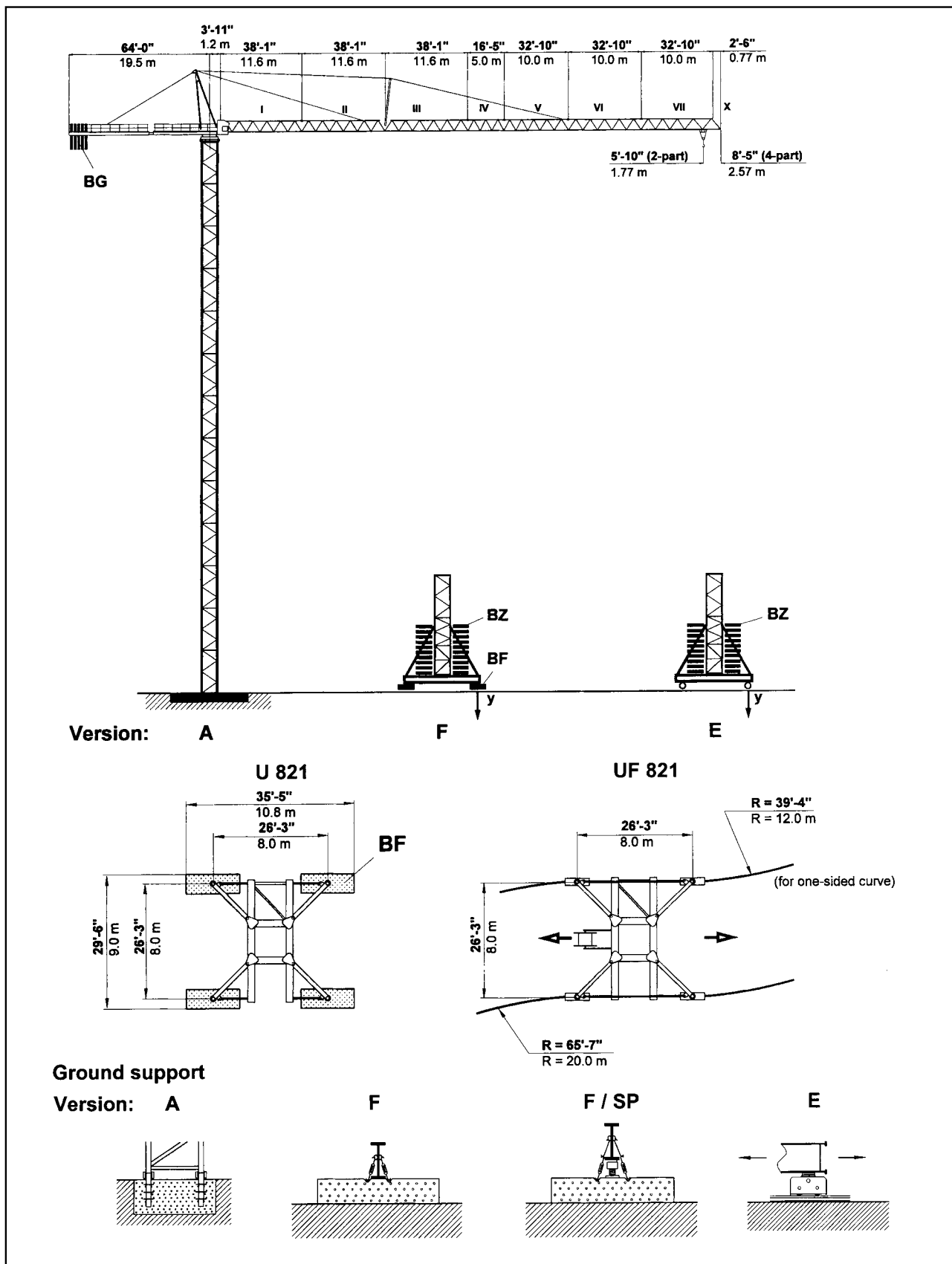


simple, available and
cost effective™

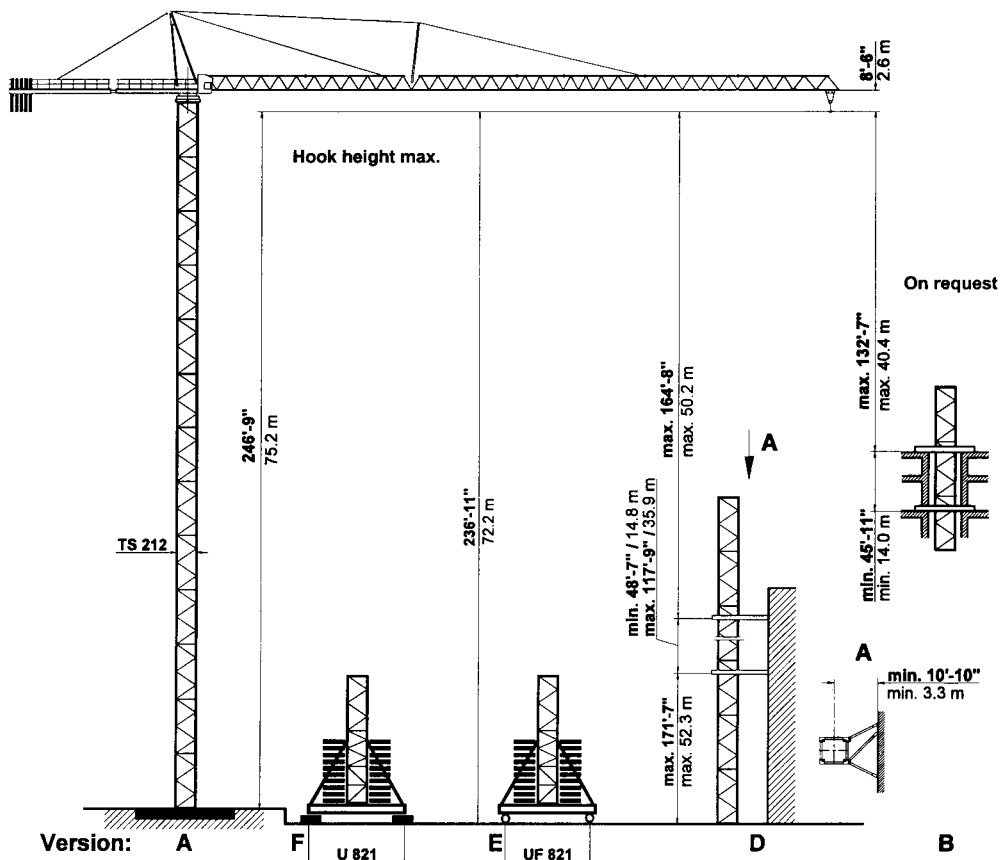
Machines shown may have optional equipment.

PEINER SK 315

Combinations of tower section, hook heights, forces acting per corner, base ballast



PEINER SK 315 Tower TS 211



TS 212	Version A		Version F			Version E			
	HH	Tower	HH	BZ + BF	in service	out of service	BZ	in service	out of service
TS 212.1	ft m	TSV 212 TS 212.1	ft m	kips / t	kips / kN	kips / kN	kips / t	kips / kN	kips / kN
13 x TS 212.1	246'-9"*** 75.2*								
12 x TS 212.1	227'-4"*** 69.3*	1 x TSV 212 11 x TS 212.1	236'-11"*** 72.2*	212.0 96	204 909	279 1243	198.0 90	212 942	282 1253
11 x TS 212.1	208'-0"*** 63.4*	1 x TSV 212 10 x TS 212.1	217'-6"*** 66.3*	168.0 76	186 826	240 1066	154.0 70	192 856	242 1075
10 x TS 212.1	188'-8"*** 57.5*	1 x TSV 212 9 x TS 212.1	198'-2"*** 60.4	146.0 66	173 770	203 901	132.0 60	179 797	204 909
9 x TS 212.1	169'-4"*** 51.6	1 x TSV 212 8 x TS 212.1	178'-10"*** 54.5	124.0 56	161 715	169 751	88.0 40	161 715	169 754
8 x TS 212.1	149'-11"*** 45.7	1 x TSV 212 7 x TS 212.1	159'-5"*** 48.6	101.0 46	149 661	145 645	88.0 40	154 683	170 654
7 x TS 212.1	130'-7"*** 39.8	1 x TSV 212 6 x TS 212.1	140'-1"*** 42.7	101.0 46	142 633	128 569	66.0 30	141 629	124 553
6 x TS 212.1	111'-3"*** 33.9	1 x TSV 212 5 x TS 212.1	120'-9"*** 36.8	101.0 46	136 607	112 499	66.0 30	135 600	108 482
5 x TS 212.1	91'-10"*** 28.0	1 x TSV 212 4 x TS 212.1	101'-5"*** 30.9	101.0 46	131 582	98 435	66.0 30	129 573	94 418
4 x TS 212.1	72'-6"*** 22.1	1 x TSV 212 3 x TS 212.1	82'-0"*** 25.0	101.0 46	126 559	85 376	66.0 30	123 548	81 359
3 x TS 212.1	53'-2"*** 16.2	1 x TSV 212 2 x TS 212.1	62'-8"*** 19.1	101.0 46	120 536	80 356	66.0 30	118 523	75 335
2 x TS 212.1	33'-9"*** 10.3	1 x TSV 212 1 x TS 212.1	43'-4"*** 13.2	101.0 46	116 515	80 356	66.0 30	112 500	75 335
Foundation 25'-7" x 25'-7" x 5'-7" 7.8 x 7.8 x 1.7 m					Stationary base U 821		Travelling base UF 821		
Anchor stools 4 x FF 212					BF 4 x 8.82 kips 4 x 4.0 t		BZ block 11.02 kips Block 5.0 t		Bogle Curve F 500

If TSK 212 section is used the hook height is increased by 6'-7" (2 m).

* Lower climbing section after erection.

TS 212.1 = 19'-4 1/4" / 5.9 m

TSV 212 = 25'-11" / 7.9 m

TSK 212 = 6'-7" / 2.0 m

PEINER SK 315 Radius and Capacity

Jib	Max. capacity max. 17,600 lbs 8.0 t	Radius - ft./m Capacity - lbs./mt																			
		2-Part Line max. 17,600 lbs max. 8.0 t																			
ft m		75'-6" 23	82'-0" 25	98'-5" 30	114'-10" 35	131'-3" 40	141'-1" 43	147'-8" 45	157'-6" 48	164'-1" 50	173'-11" 53	180'-5" 55	190'-3" 58	196'-10" 60	206'-8" 63	213'-3" 65	223'-1" 68	229'-8" 70			
L7	229'-8" 70.0	9'-4" - 96'-9"	17600	17600	17400	14800	12800	11900	11200	10600	10100	9500	9000	8600	8200	7700	7500	7100	6800		
L6	213'-3" 65.0	9'-4" - 105'-0"	17600	17600	17600	16100	13900	13000	12300	11500	11000	10400	9900	9300	8800	8600	8200				
L5	196'-10" 60.0	9'-4" - 117'-9"	17600	17600	17600	17600	15700	14600	13900	13000	12300	11700	11200	10600	10100						
L4	180'-5" 55.0	9'-4" - 124'-8"	17600	17600	17600	17600	16800	15400	14800	13900	13200	12300	11900								
L3	164'-1" 50.0	9'-4" - 130'-11"	17600	17600	17600	17600	17600	16300	15400	14600	13900										
L2	147'-8" 45.0	9'-4" - 131'-11"	17600	17600	17600	17600	17600	16500	15700												
L1	131'-3" 40.0	9'-4" - 131'-3"	17600	17600	17600	17600	17600														
ft m	35,300 lbs 16.0 t	4-Part Line max. 35,300 lbs max. 16.0 t																Radius - 2'-7" (- 0.8 m)			
L7	227'-0" 69.2	12'-0" - 48'-7"	21800	19600	16100	13200	11200	10400	9700	9000	8600	7900	7500	7100	6600	6200	6000	5500	5300		
L6	210'-8" 64.2	12'-0" - 52'-2"	23800	21600	17400	14600	12600	11500	10800	9900	9500	8800	8400	7700	7500	6800	6600				
L5	194'-3" 59.2	12'-0" - 57'-9"	26900	24500	19800	16800	14300	13000	12300	11500	10800	10100	9700	9000	8600						
L4	177'-10" 54.2	12'-0" - 61'-0"	28700	26000	21200	17900	15200	14100	13200	12300	11700	10800	10400								
L3	161'-5" 49.2	12'-0" - 63'-8"	30200	27300	22300	18700	16100	14800	14100	12800	12300										
L2	145'-0" 44.2	12'-0" - 64'-0"	30400	27600	22500	19000	16300	15000	14100												
L1	128'-7" 39.2	12'-0" - 66'-3"	31700	28700	23600	19800	17000														

Speeds

FU 8-160/4		v = 0 → ~290 fpm (88 m / min.)	10.2 HP 7.5 kW	
SR 10-190/3		v = 0 → ~96 fpm (30 m / min.)	2 x 16.3 HP 2 x 12.0 kW	
K WB 120/4		v = 0 → 0.9 rpm (min ⁻¹)	2 x 11.4 HP 2 x 8.4 kW	
HK max. = 705' (215 m) 6 - layers			480 V / 60 Hz / 3 ph	
Type SR WB 66-80/4F [108 HP] [79 kW]		2-Part Line → 444 fpm / 134 m/min 5 500 lbs / 2 500 kg → 276 fpm / 84 m/min 9 300 lbs / 4 200 kg → 180 fpm / 54 m/min 13 900 lbs / 6 300 kg → 108 fpm / 34 m/min 17 600 lbs / 8 000 kg	4-Part Line → 222 fpm / 67 m/min 11 000 lbs / 5 000 kg → 138 fpm / 42 m/min 18 600 lbs / 8 400 kg → 90 fpm / 27 m/min 27 800 lbs / 12 600 kg → 54 fpm / 17 m/min 35 300 lbs / 16 000 kg	Total motor output ~140 HP without SR 10-190/3 ~105 kW Connected power 170 kVA

Counterweight

Jib		L 1	L 2	L 3	L 4	L 5	L 6	L 7
Counterweight	BG	30 000 lbs 13 600 kg	32 200 lbs 14 600 kg	36 600 lbs 16 600 kg	39 150 lbs 17 750 kg	43 550 lbs 19 750 kg	41 350 lbs 18 750 kg	45 750 lbs 20 750 kg
	[lbs]	3 x 6 950 1 x 9 150	2 x 6 950 2 x 9 150	4 x 9 150	3 x 6 950 2 x 9 150	1 x 6 950 4 x 9 150	2 x 6 950 3 x 9 150	5 x 9 150
	[t]	3 x 3.15 1 x 4.15	2 x 3.15 2 x 4.15	4 x 4.15	3 x 3.15 2 x 4.15	1 x 3.15 4 x 4.15	2 x 3.15 3 x 4.15	5 x 4.15

PEINER SK 315 Dimensions and transport weights

See operating manual for mounting weights

	Designation		Dimensions (ft / m)			Weight	Volume
			l	b	h	lbs / t	ft ³ / m ³
1	Jib Section III		39.01	4.99	7.09	4 200	1 386
			11.94	1.52	2.16	1.92	39.2
2	Jib Section I		39.01	4.99	5.84	3 790	1 137
	11.89		1.52	1.78	1.72	32.2	
	Section II		38.65	4.99	6.17	4 320	1 190
	11.78		1.52	1.88	1.96	33.7	
	Section IV		19.19	4.99	5.41	1 760	519
	5.85		1.52	1.65	0.80	14.7	
	Section V		35.34	4.99	5.45	3 090	961
	10.77		1.52	1.66	1.40	27.2	
Section VI	36.03	4.99	5.48	2 470	985		
	10.98	1.52	1.67	1.12	27.9		
Section VII	33.33	4.99	5.32	1 570	853		
10.16	1.52	1.62	0.71	25.0			
Jib tip X	3.12	5.02	1.64	310	25		
0.95	1.53	0.50	0.14	0.7			
3	Turntable with slewing ring support and cabin		36.35	7.64	7.81	25 350	2 169
			11.08	2.33	2.38	11.50	61.4
3	Turntable with slewing ring support		31.99	7.64	7.81	24 030	1 911
			9.75	2.33	2.38	10.90	54.1
3	Cabin with support and railing		10.17	4.92	7.25	1 320	364
			3.10	1.50	2.21	0.60	10.3
4	Counter jib with hoist winch		38.13	5.91	6.00	14 550	1 353
			11.62	1.80	1.83	6.60	38.3
4	Hoist winch	66 WB 	7.51	5.45	3.28	5 400	134
			2.29	1.66	1.00	2.45	8.4
5	Counterweight	BG 	3.94	1.64	9.32	6 950	60
			1.20	0.50	2.84	3.15	1.4
			3.94	1.64	12.11	9 150	78
			1.20	0.50	3.69	4.15	1.7
6	Tower section	TS 212.1 	19.52	7.78	8.01	9 130	1 216
		5.95	2.37	2.45	4.14	34.4	
		TSV 212 with struts 	31.17	9.84	10.00	20 330	3 067
9.50	3.00	3.05	9.22	86.9			
6	TSK 212 	6.63	7.87	9.84	6 170	513	
2.02	2.40	3.00	2.80	14.5			
7	Travelling base, folded	UF 821 	41.01	9.74	7.05	35 050	2 816
12.5	2.97	2.15	15.90	79.8			
8	Stationary base, folded	U 821 	34.55	9.06	2.79	17 130	873
10.53	2.76	0.85	7.77	24.7			
9	Central ballast block	BZ 	11.48	4.92	2.20	11 020	124
3.50	1.50	0.67	5.00	3.5			
10	Foundation pad	BF 	9.19	3.28	1.87	8 820	57
2.80	1.00	0.57	4.00	1.6			
11	Accessories					4 800	
					2.17		



For more information, product demonstration, or details on lease and rental plans, please contact your local Terex Towers Distributor.

We reserve the right to amend these specifications at any time without notice. The only warranty applicable is our standard written warranty applicable to the particular product and sale. We make no other warranty, expressed or implied.

Bigge Crane and Rigging Co.

10700 Bigge Avenue
San Leandro, CA 94577
Phone: (888) 337-BIGGE or (510) 638-8100
Fax: (510) 639-4053
Email: towers@bigge.com
Web site: www.biggetowercrane.com

 **TEREX TOWERS**

202 Raleigh Street
Wilmington, NC 28412 USA
(910) 395-8500 • FAX: (910) 395-8547
E-mail: wilmington@terexlifting.com

