

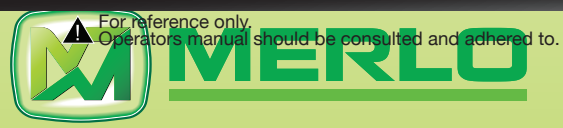


P 120.10 HM

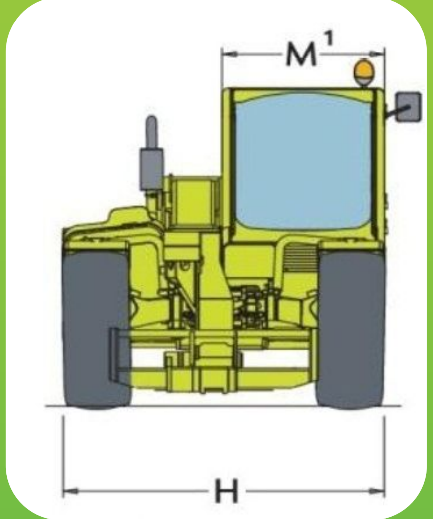
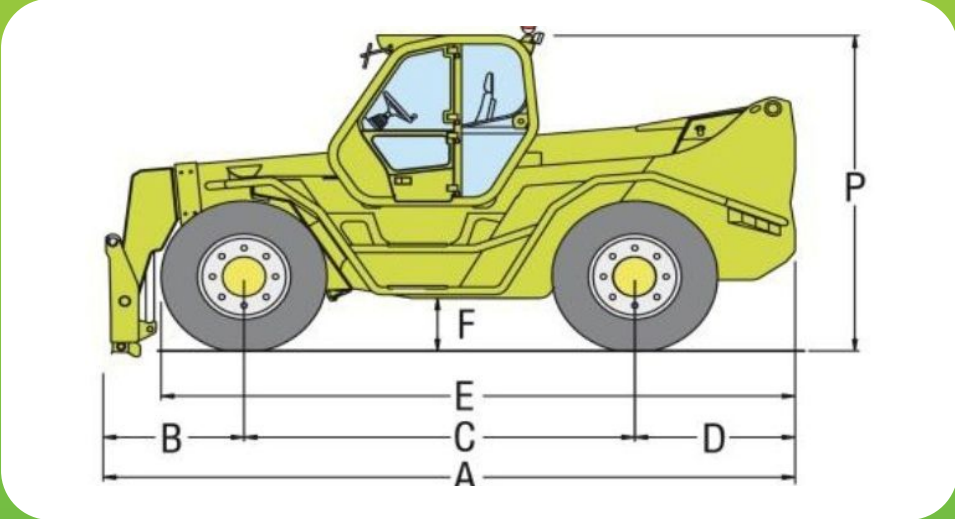
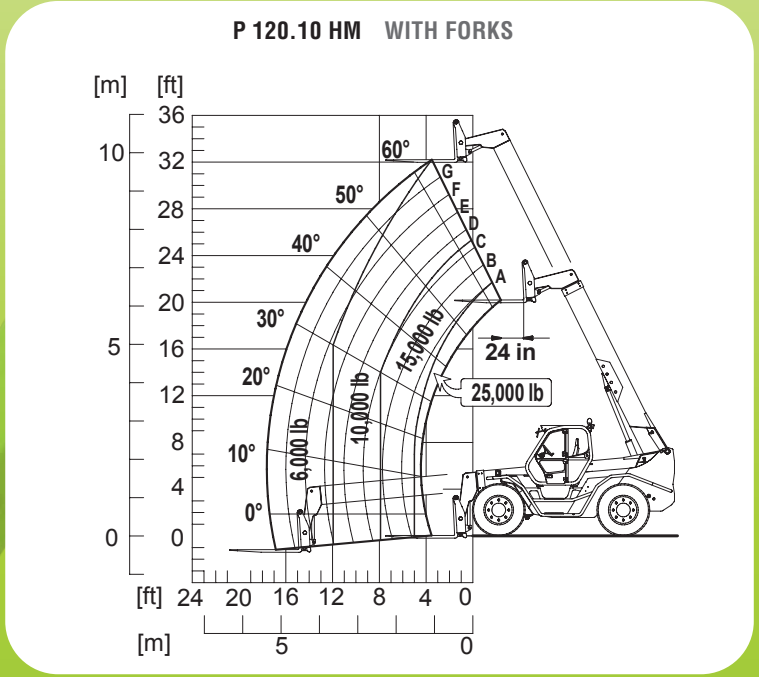


- **MAXIMUM LOAD CAPACITY: 26,500 LBS**
- **MAXIMUM LIFT HEIGHT: 32' 2"**
- **MAXIMUM REACH: 18' 4"**
- **LOAD CAPACITY AT MAXIMUM LIFT HEIGHT: 15,400 LBS**
- **LOAD CAPACITY AT MAXIMUM FORWARD REACH: 6,100 LBS**

SPECIFICATIONS: P 120.10 HM



Power / 6 Cylinder Turbo Diesel	Iveco/170 HP
Transmission	2 Speed / Hydrostatic
Maximum Speed	25 MPH
Total Unladen Mass	34,500 LBS
Boom Sideshift	Standard
Frame Leveling	Standard / ±8%
Load Sensing Hydraulic Pump (PSI-gal/min)	3,340-38
Fuel Capacity	48.8 Gallons
Hydraulic Oil Capacity	32 Gallons
Tires	17.5/25
Turning Radius	14'-2"
4 Wheel Drive / 3 Steering Modes	Standard
Hydraulic System	Load-sensing
Control and Command System	Electronic MERlin



Dimensions					
A	18' -10"	D	4' -4"	H	7' -10"
B	3' -10"	E	17' -3"	M ⁽¹⁾	3' -3"
C	10' -8"	F	1' -6"	P	9' -4"

⁽¹⁾ Internal Width

DEALER INFORMATION: