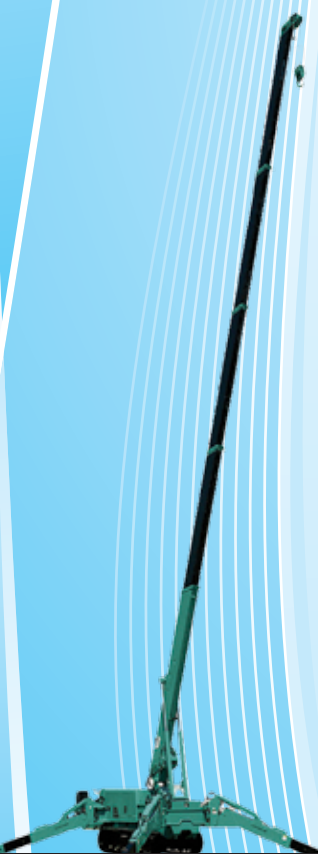




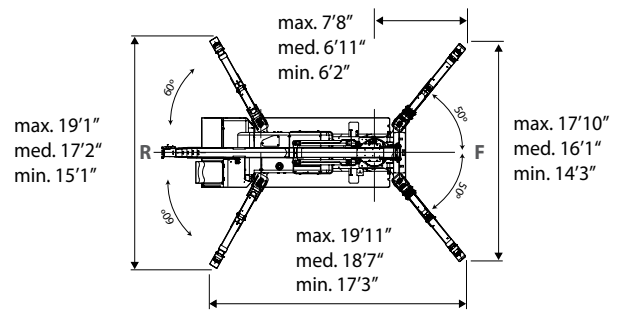
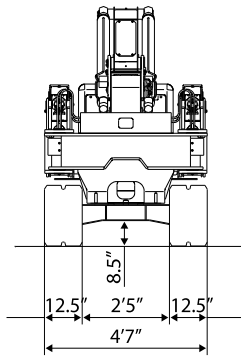
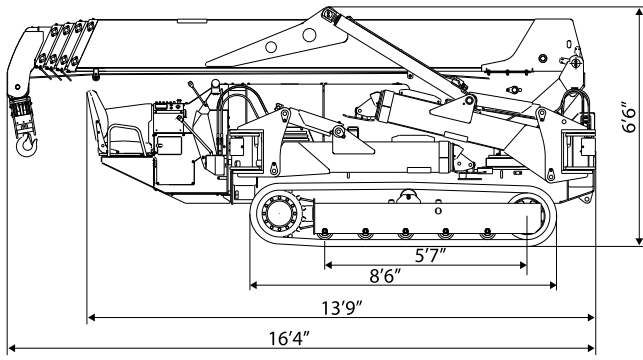
# MC405

## MINI CRAWLER CRANE

- 5 SECTION FULLY AUTOMATIC BOOM
- FLY JIB (optional)
- CONFINED AREA 3 POSITION OUTRIGGER SYSTEM
- RUBBER TRACKS
- 2 SPEED TRAVEL & CRANE FUNCTIONS
- 2 SPEED WINCH WITH HYDRAULIC DISC BRAKE
- MOMENT LIMITER DIGITAL LOAD SYSTEM
- ANTI TWO BLOCK, TILT SENSOR ALARM
- 360° SWING
- AUTOMATIC HOOK STOWAGE
- OPERATOR'S SEAT WITH CENTRALIZED CONTROLS
- REMOTE CONTROL
- 1/2/4 PARTS REEVING CAPACITY
- EPA COMPLIANT DIESEL ENGINE, DUAL POWER ELECTRIC MOTOR (optional)



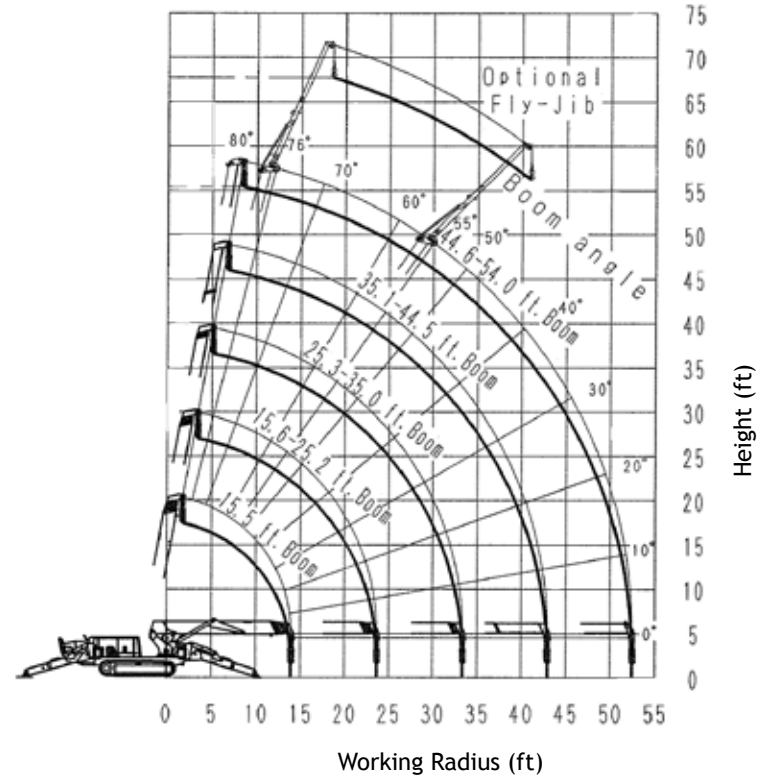
|                             |                                          |                                                                                                                                                                                                                           |
|-----------------------------|------------------------------------------|---------------------------------------------------------------------------------------------------------------------------------------------------------------------------------------------------------------------------|
| Crane Model                 | MC405CRM(E)                              |                                                                                                                                                                                                                           |
| Maximum Capacity            | 8,480 lb., 1,140 lb. on Fly Jib          |                                                                                                                                                                                                                           |
| Maximum Working Radius      | 52.4'                                    |                                                                                                                                                                                                                           |
| Maximum Lifting Height      | 55.1', 67.9' w/ Fly Jib                  |                                                                                                                                                                                                                           |
| Hook Speed                  | 33 ft./min [59 ft./min] 4 Part/4th Layer |                                                                                                                                                                                                                           |
| Single Line Speed           | 132 ft./min [236 ft./min] 4th Layer      |                                                                                                                                                                                                                           |
| Hoist Rope                  | IWRC 6 x WS(26) 8mm x 302'               |                                                                                                                                                                                                                           |
| Boom System                 | Type                                     | Automatic 5 Section, Pentagonal Telescopic                                                                                                                                                                                |
|                             | Length                                   | 15'6" - 54'0"                                                                                                                                                                                                             |
|                             | Telescopic Stroke / Speed                | 38'5" / 54.2 sec [41.3 sec]                                                                                                                                                                                               |
| Fly Jib                     | Type                                     | Single Length, Box Tube, 1 Point Sheave                                                                                                                                                                                   |
|                             | Length                                   | 14'9", Total Boom + Fly Jib - 68'9"                                                                                                                                                                                       |
|                             | Stowage                                  | Swing Away, Side Stowed On Boom Base                                                                                                                                                                                      |
| Boom Hoist                  | Angle / Speed                            | 0° - 76° / 23.5 sec [16 sec]                                                                                                                                                                                              |
| Swing                       | Radius / Speed                           | 360° / 2.1 RPM [2.5 RPM]                                                                                                                                                                                                  |
| Travel Crawler System       | Drive                                    | Hydraulic Motor, Stepless Speed Changer                                                                                                                                                                                   |
|                             | Travel Speed                             | 0 - 2.05 mph                                                                                                                                                                                                              |
|                             | Gradability                              | 20° Design Limit   15° Set Limit                                                                                                                                                                                          |
|                             | Ground Contact                           | 5'7" Length, 12.5" Wide                                                                                                                                                                                                   |
|                             | Ground Pressure                          | 7.27 PSI Diesel Model<br>7.45 PSI Electric Dual Power Model                                                                                                                                                               |
| Engine                      | Type                                     | Yanmar 3TNV88-BPMB<br>4 Cycle, 3 Cylinder, Water Cooled                                                                                                                                                                   |
|                             | Rated Output                             | 28.7 hp / 2400 min-1, 29.6 ps / 2400 RPM                                                                                                                                                                                  |
|                             | Fuel Tank                                | 15.8 Gallon                                                                                                                                                                                                               |
| Electric Motor (Dual Power) | Type<br>Size                             | Totally Enclosed Fan Cooled Motor<br>7.5 kw, 4P, 230V, 3 phase, Inverter 30 hz - 60 hz                                                                                                                                    |
| Remote Control              | Standard                                 | Cable Remote Control, Crane & Outrigger Operation, Graduated Micro Speed, Load & Rated Load LCD Display                                                                                                                   |
| Dimensions                  | Stowed LxWxH                             | L 16'4" x W 4'7" x H 6'6"                                                                                                                                                                                                 |
| Net Weight                  |                                          | Diesel Model 12,400 lb. Electric Dual Power +300 lb. Fly Jib +330 lb.                                                                                                                                                     |
| Optional Equipment          |                                          | Boom Tip Searcher Hook, Wireless Remote, White Rubber Tracks, Single Part Ball/Hook, Man Basket, Rotation Resistant Wire Rope, Oktopus Glass Lifter/Manipulator, Custom Paint Color, Exhaust Scrubber, Transport Trailer, |



### RATED TOTAL LOAD - MAXIMUM Outriggers, 4 Part Line

| Boom Length  | 15.5 Ft.    | 15.6 - 25.2 Ft. | 25.3 - 35.0 Ft. | 35.1 - 44.5 Ft. | 44.6 - 54.0 Ft. |
|--------------|-------------|-----------------|-----------------|-----------------|-----------------|
| Radius (Ft.) | Load (Lbs.) | Load (Lbs.)     | Load (Lbs.)     | Load (Lbs.)     | Load (Lbs.)     |
| ≤ 8.5        | 8,480       | 8,480           |                 |                 |                 |
| 10.0         | 7,720       | 7,720           | 6,720           |                 |                 |
| 11.5         | 6,710       | 6,710           | 6,710           |                 |                 |
| 13.0         | 5,800       | 5,800           | 5,800           | 4,960           |                 |
| 14.5         |             | 5,220           | 5,220           | 4,400           | 2,530           |
| 16.5         |             | 4,490           | 4,490           | 3,830           | 2,510           |
| 20.0         |             | 3,680           | 3,680           | 3,080           | 2,010           |
| 23.5         |             | 3,000           | 3,000           | 2,590           | 1,680           |
| 26.0         |             |                 | 2,570           | 2,330           | 1,490           |
| 30.0         |             |                 | 1,900           | 2,060           | 1,350           |
| 33.0         |             |                 | 1,390           | 1,850           | 1,240           |
| 36.0         |             |                 |                 | 1,570           | 1,120           |
| 40.0         |             |                 |                 | 1,170           | 980             |
| 42.5         |             |                 |                 | 1,010           | 880             |
| 45.5         |             |                 |                 |                 | 760             |
| 49.0         |             |                 |                 |                 | 620             |
| 52.4         |             |                 |                 |                 | 500             |

### WORKING RANGE



### RATED TOTAL LOAD - MEDIUM Outriggers, 4 Part Line

| Boom Length  | 15.5 Ft.    | 15.6 - 25.2 Ft. | 25.3 - 35.0 Ft. | 35.1 - 44.5 Ft. | 44.6 - 54.0 Ft. |
|--------------|-------------|-----------------|-----------------|-----------------|-----------------|
| Radius (Ft.) | Load (Lbs.) | Load (Lbs.)     | Load (Lbs.)     | Load (Lbs.)     | Load (Lbs.)     |
| ≤ 8.5        | 8,480       | 8,480           |                 |                 |                 |
| 10.0         | 7,720       | 7,720           | 6,720           |                 |                 |
| 11.5         | 6,710       | 6,710           | 6,710           |                 |                 |
| 13.0         | 5,800       | 5,800           | 5,800           | 4,960           |                 |
| 14.5         |             | 5,080           | 5,080           | 4,220           | 2,530           |
| 16.5         |             | 4,150           | 4,150           | 3,610           | 2,510           |
| 20.0         |             | 3,130           | 3,130           | 2,920           | 2,010           |
| 23.5         |             | 2,530           | 2,440           | 2,350           | 1,610           |
| 26.0         |             |                 | 2,020           | 2,010           | 1,440           |
| 30.0         |             |                 | 1,600           | 1,590           | 1,230           |
| 33.0         |             |                 | 1,180           | 1,200           | 1,090           |
| 36.0         |             |                 |                 | 1,100           | 990             |
| 40.0         |             |                 |                 | 950             | 860             |
| 42.5         |             |                 |                 | 790             | 770             |
| 45.5         |             |                 |                 |                 | 670             |
| 49.0         |             |                 |                 |                 | 530             |
| 52.4         |             |                 |                 |                 | 440             |

### RATED TOTAL LOAD - MINIMUM Outriggers, 4 Part Line

| Boom Length  | 15.5 Ft.    | 15.6 - 25.2 Ft. | 25.3 - 35.0 Ft. | 35.1 - 44.5 Ft. | 44.6 - 54.0 Ft. |
|--------------|-------------|-----------------|-----------------|-----------------|-----------------|
| Radius (Ft.) | Load (Lbs.) | Load (Lbs.)     | Load (Lbs.)     | Load (Lbs.)     | Load (Lbs.)     |
| ≤ 8.5        | 8,480       | 8,480           |                 |                 |                 |
| 10.0         | 7,720       | 7,720           | 6,720           |                 |                 |
| 11.5         | 6,710       | 6,710           | 6,710           |                 |                 |
| 13.0         | 5,800       | 5,800           | 5,800           | 4,960           |                 |
| 14.5         |             | 4,890           | 4,890           | 4,220           | 2,530           |
| 16.5         |             | 3,710           | 3,710           | 3,600           | 2,510           |
| 20.0         |             | 2,590           | 2,580           | 2,570           | 1,950           |
| 23.5         |             | 1,840           | 1,930           | 1,820           | 1,580           |
| 26.0         |             |                 | 1,670           | 1,560           | 1,240           |
| 30.0         |             |                 | 1,270           | 1,210           | 1,020           |
| 33.0         |             |                 | 960             | 980             | 960             |
| 36.0         |             |                 |                 | 880             | 860             |
| 40.0         |             |                 |                 | 800             | 750             |
| 42.5         |             |                 |                 | 730             | 660             |
| 45.5         |             |                 |                 |                 | 580             |
| 49.0         |             |                 |                 |                 | 470             |
| 52.4         |             |                 |                 |                 | 370             |

### Rated Total Load - Fly Jib

| Boom Angle | Load (Lbs.) |
|------------|-------------|
| 72° - 76°  | 1140        |
| 69°        | 920         |
| 66°        | 700         |
| 63°        | 550         |
| 60°        | 480         |
| 55°        | 370         |
| < 55°      | Prohibited  |

### Reach Below Grade

|           |           |
|-----------|-----------|
| Four Part | 67' max.  |
| Two Part  | 138' max. |
| One Part  | 269' max. |

The Rated Total Load is based on the actual working radius including boom deflection. Due to wire rope strength and other limitations, when using two part or single part hooks use the appropriate four part Rated Total Load Chart above but with maximum load of:

Two Part - 4,280 lb. Single Part - 2,200 lb.

This Rated Total Load Chart is supplied for reference only. Operator and all personnel must refer to the actual crane Rated Total Load Chart to determine allowable machine lifting and operating procedures. We are constantly improving our products and reserve the right to change design and specifications at any time. ASME B 30.5 2014. ISO 9001 compliant