

**JMG Cranes S.p.A.**

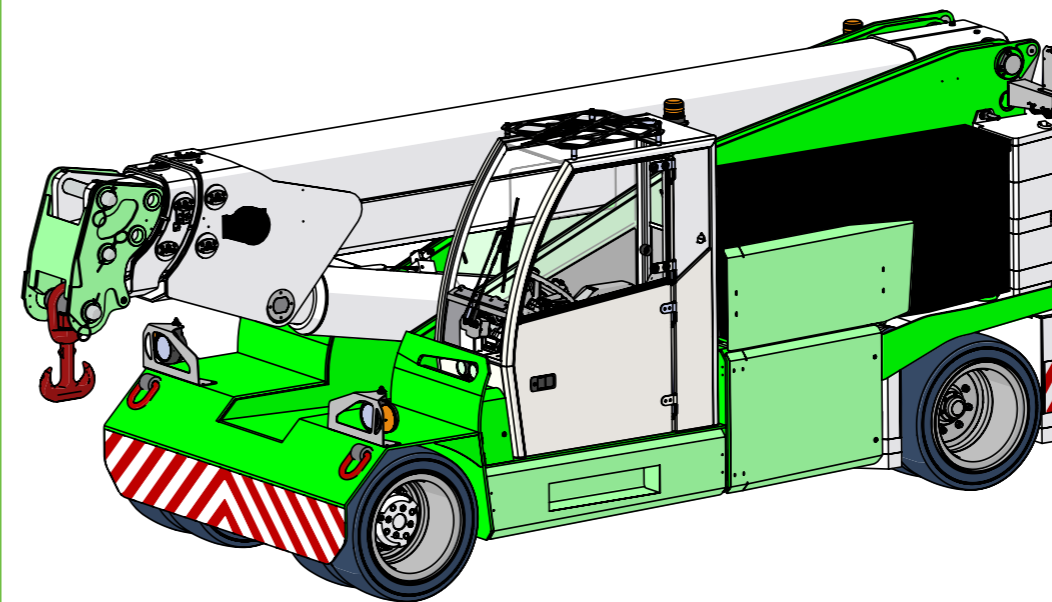
Sales & Service Office  
Via Bergamo, 142  
26100 Cremona - Italy  
t +39 0372 1786738  
Production Plant  
Via Sito Nuovo 14  
29010 Sarmato (PC) - Italy  
t +39 0523 8486  
e info@jmgcranes.com



Data subject to change without prior notice  
Edition 03/2020 © 2020 JMG Cranes S.p.A. All rights reserved  
Rev.1 - 03/20



Electric  
Pick & Carry  
Cranes



**MC 350 (inch)**  
Max Capacity  
77,000 lbs

[www.jmgcranes.com](http://www.jmgcranes.com)



# MC 350

FRONT-WHEELS DRIVE WITH COUNTER ROTATION  
 HYDRAULICALLY TELESCOPING PROPORTIONAL TYPE BOOM  
 180° REAR STEERING  
 REMOVABLE COUNTERWEIGHTS

**Options :**

- HYDRAULIC WINCH
- HYDRAULIC JIB WITH HYDRAULIC EXTENSION
- BENDABLE MANUAL JIB WITH MANUAL EXTENSION
- NON-MARKING TIRES
- FRONT OUTRIGGERS
- RADIO REMOTE CONTROL
- HYDRAULIC FORKS
- MAN BUCKET
- ATEX CONVERSIONS
- CUSTOMIZED PAINTING

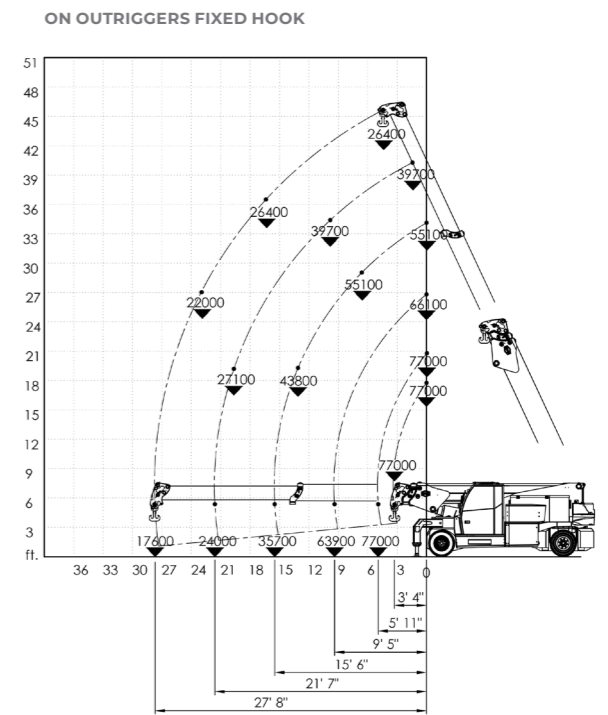
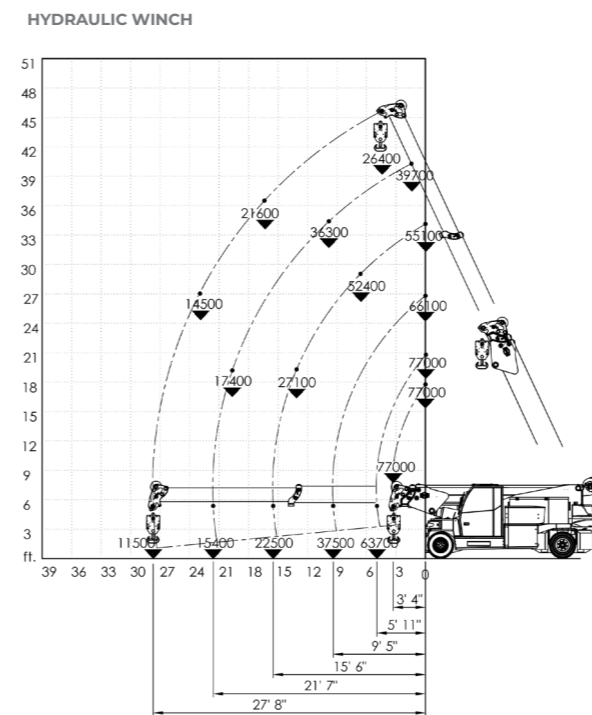
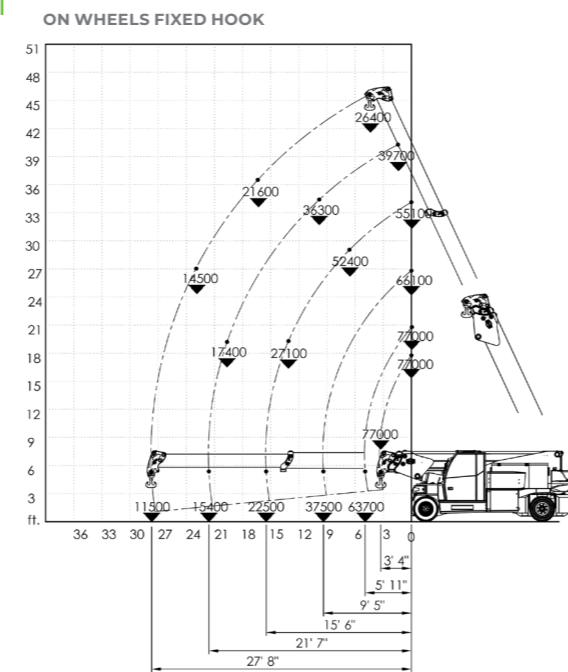


**i** **Technical features**

Max Capacity lbs	77,000
Dimensions inch	16'11"x7'4"x7'6"

Front-wheels drive. 2 electric motors AC 12 kW 96V Insulation class H	<b>LMI</b> Electronic safe load indicator and tilting moment limiter
Total lbs 67,100 Removable counterweights lbs 19,100	Hydraulically foot controlled service brake on all wheels, hydraulically automatic or button controlled parking brake on front wheels
96 V - 1395 Ah 8 working hours	Fabricated from preformed and welded quality steel plate
Front nr. 4 superelastic 355/50-20" Rear nr. 4 superelastic 355/50-20"	+60°/-7°
Rear Steering angle -90°/+90°	Motor driven pump 1x35 kW - 96 V AC, 1x23 kW - 96 AC.

**Load charts**



**EU Standards CE**

	UNI ISO 4030-1: A1
	2006/42/CE- 2000/14/CE -2014/30 UE 2014/35/UE - D.Lgs 262/2002 subsequent modifications
	EN 13000:2014 subsequent modifications

**Dimensions**

