

JMG Cranes S.p.A.

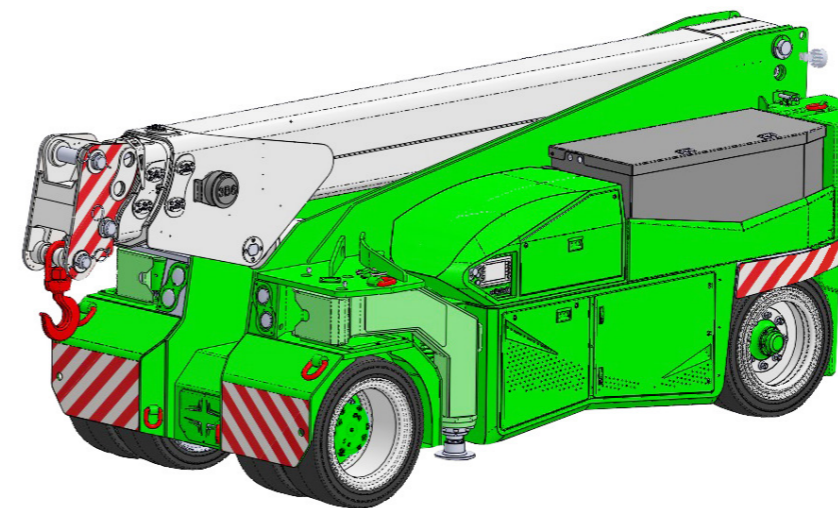
Sales & Service Office
Via Bergamo, 142
26100 Cremona - Italy
t +39 0372 1786738
Production Plant
Via Sito Nuovo 14
29010 Sarmato (PC) - Italy
t +39 0523 8486
e info@jmgcranes.com



Data subject to change without prior notice
Edition 03/2020 © 2020 JMG Cranes S.p.A. All rights reserved
Rev.1 - 03/20



Electric
Pick & Carry
Cranes



MC 180S (inch)
Max Capacity 39,600 lbs

www.jmgcranes.com



MC 180S

RADIO-REMOTE CONTROL ON DRIVING, STEERING, BOOM MOVEMENTS, WINCH AND OTHER ACCESSORIES

FRONT-WHEELS DRIVE WITH COUNTER ROTATION

REMOVABLE COUNTERWEIGHTS

HYDRAULICALLY TELESCOPING PROPORTIONAL TYPE BOOM

FRONT COMPASS TYPE OUTRIGGERS

Options :

- HYDRAULIC WINCH
- HYDRAULIC JIB WITH HYDRAULIC EXTENSION
- BENDABLE MANUAL JIB WITH MANUAL EXTENSION
- NON-MARKING TIRES
- HYDRAULIC FORKS
- MAN BUCKET
- **Ex** ATEX CONVERSIONS
- CUSTOMIZED PAINTING



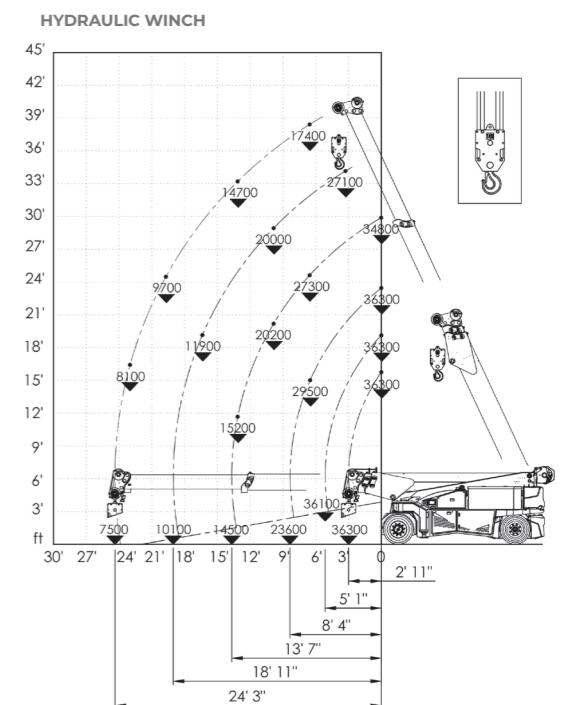
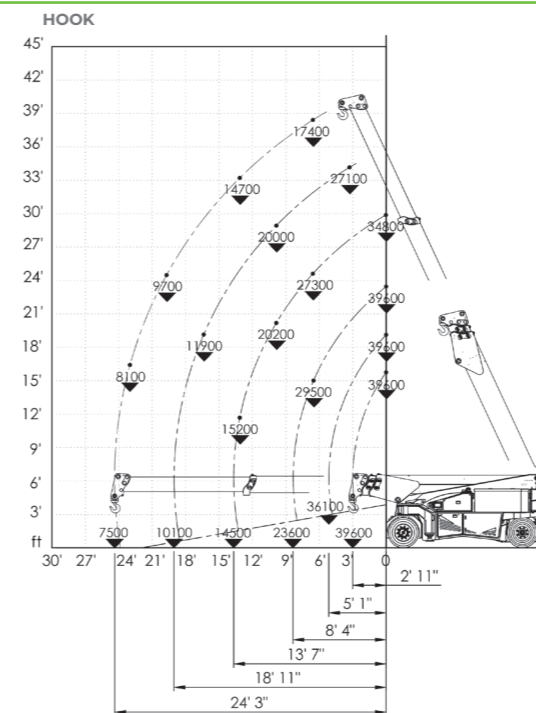
i

Technical features

	Front-wheels drive. 2 electric motors AC 10 kW 96V Insulation class H	LMI	Electronic safe load indicator and tilting moment limiter
	Total lbs 47,700 Removable counterweights lbs 13,700		Automatic braking system on all wheels
	96 V - 1035 Ah 8 working hours		Fabricated from preformed and welded quality steel plate
	Front nr. 4 superelastic 355x50-20" Rear nr. 2 superelastic 355x50-20"		+65°/-6°
	Rear Steering angle -90°/+90°		Motor driven pump 23 kW - 96 V AC, Insulation class H

Max Capacity lbs	39,600
Dimensions inch	14'10"x6'6"x6'7"

Load charts



EU Standards CE

	UNI ISO 4030-1: A1
	2006/42/CE- 2000/14/CE -2014/30 UE 2014/35/UE - D.Lgs 262/2002 subsequent modifications
	EN 13000:2014 subsequent modifications



Dimensions

