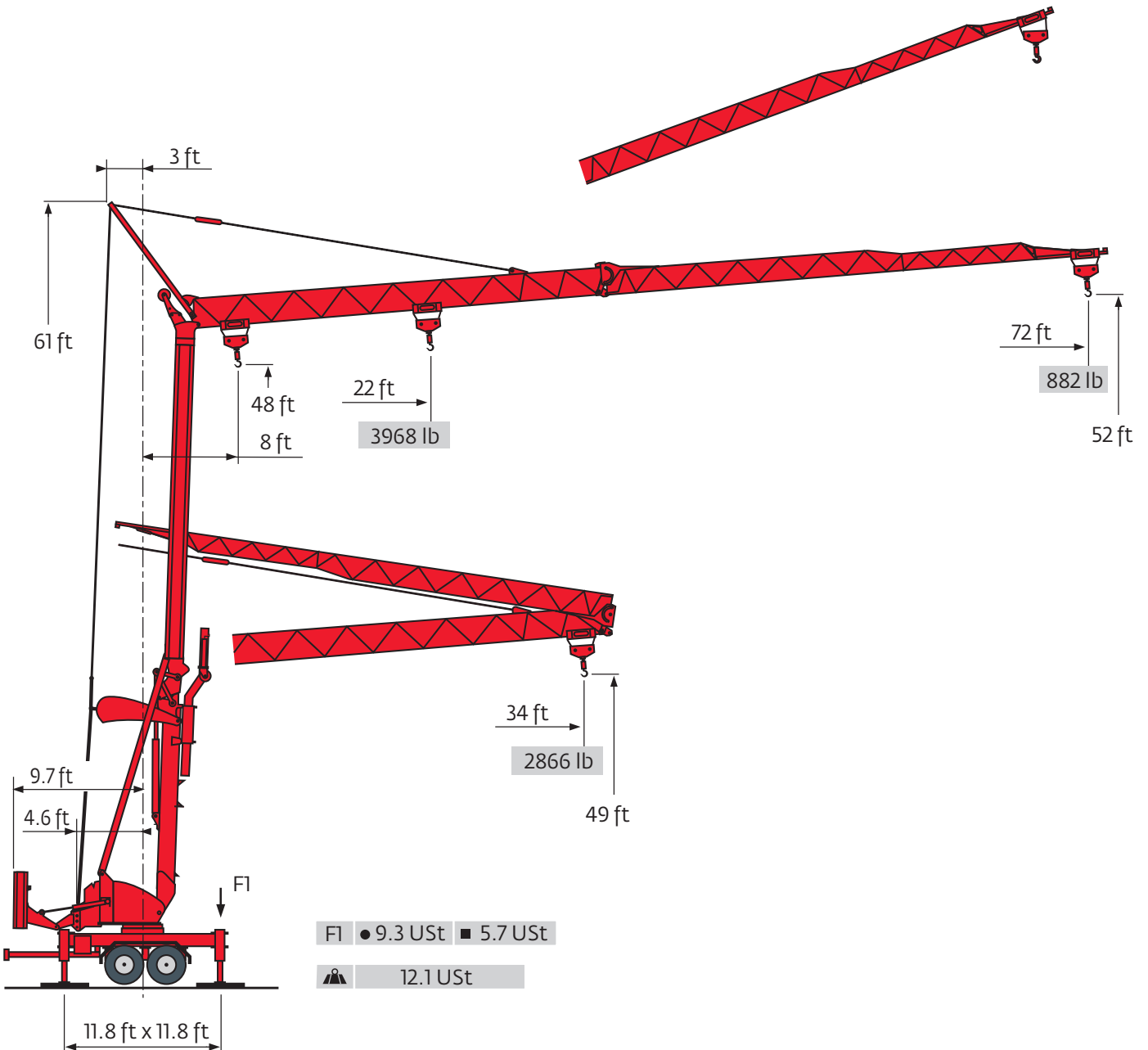


Potain Igo MA 13

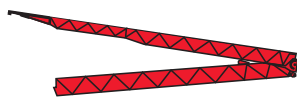
Data Sheet

FEM 1.001-A3



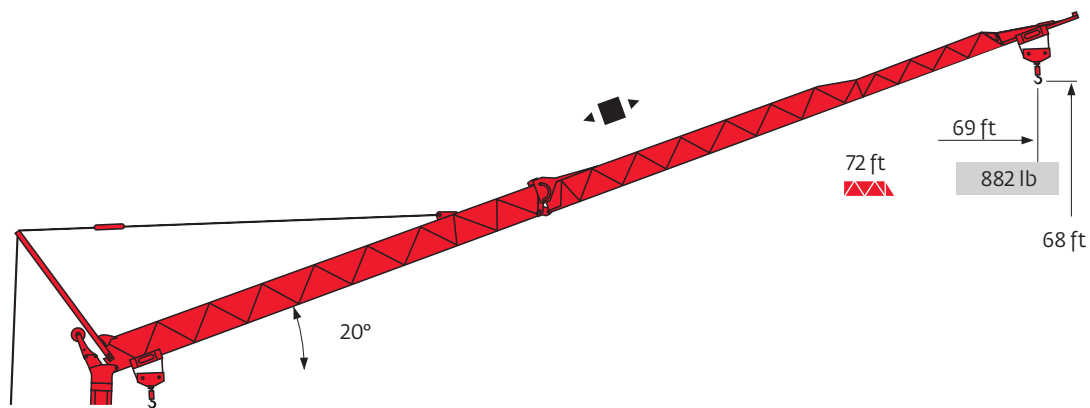
Values have been rounded

Load charts



72 ft

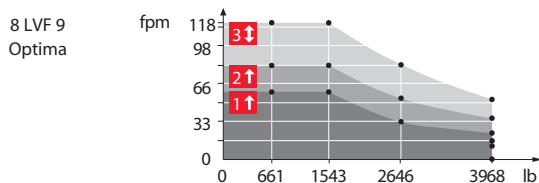
8	▶	27	30	33	34	ft	22	23	26	30	33	36	39	43	46	49	52	56	59	62	66	69	72	ft
		3968	3461	3042	2866	lb	3968	3770	3175	2745	2403	2138	1918	1731	1576	1455	1334	1235	1146	1069	1003	937	882	lb



- Traversing trolley
- Reactions in service
- Reactions out of service
- Without load, ballast (or transport axles), with maximum jib and maximum jib height

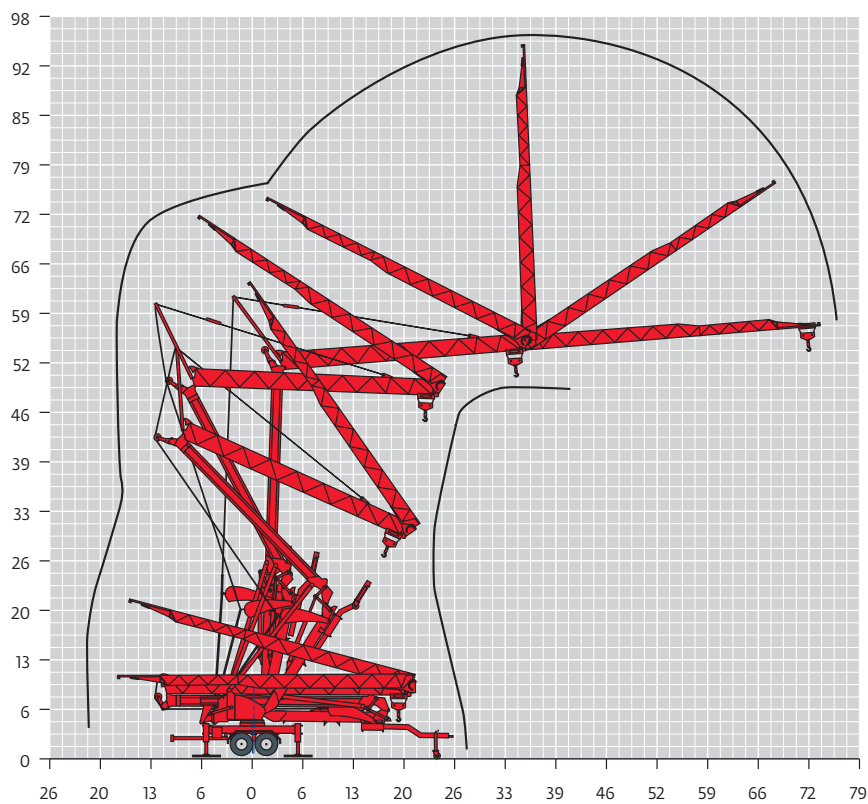
Mechanisms

						hp	kW		
	8 LVF 9 Optima	220 V 21 A 1	fpm	↑ 12 ↓ 12	↑ 23 ↓ 53	↑ 60 ↓ 119	3.3	2.4	
			lb	3968	3968	1543			
			220 V 34 A 2	fpm	↑ 12 ↓ 12	↑ 37 ↓ 52	↑ 83 ↓ 119	5.2	3.8
			lb	3968	3968	1543			
			480 V 3	fpm	↓ 12	↓ 53	↓ 119	7.5	5.5
			lb	3968	3968	1543			
	1 DVF 4	-	fpm	46 - 92			1.5	1.1	
	RVF 20	-	rpm	0 → 1			1.5	1.1	
				kW					
220 V(+6% -10%) 60 Hz 480 V(+6% -10%) 60 Hz				220 V 21 A: 2.4 kW 220 V 34 A: 3.8 kW 480 V: 14 kW					

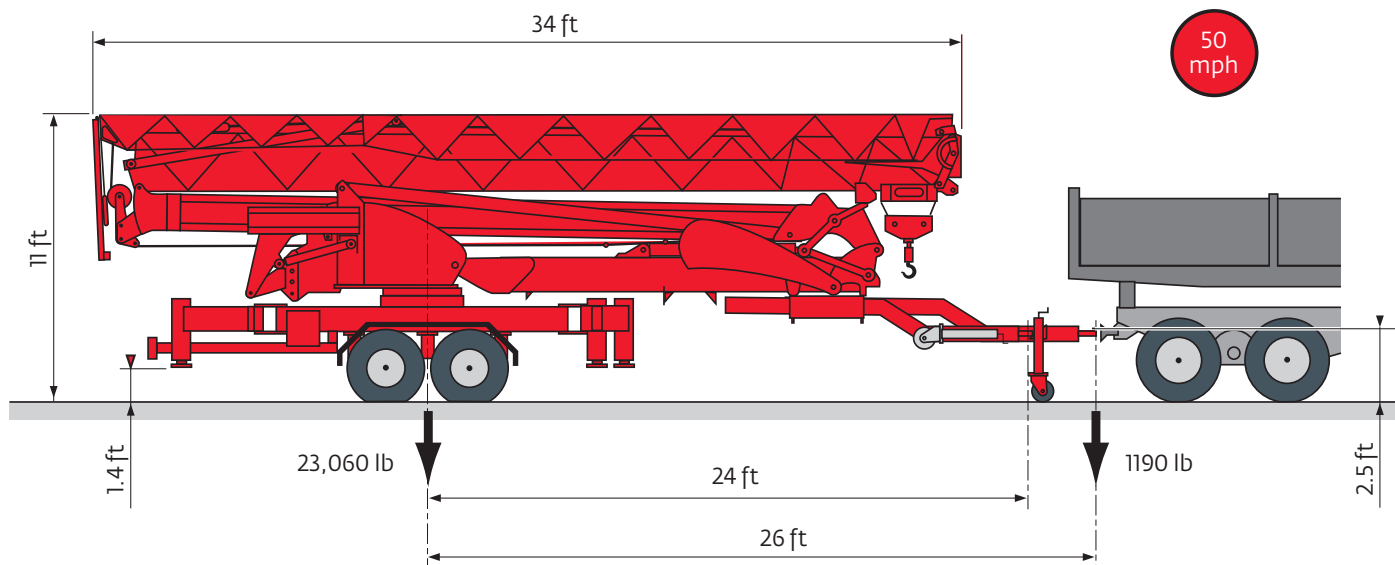


Crane profile

	Hoisting
	Trolleying
	Slewing
	60 Hz Single phase



Transport



Constant improvement and engineering progress make it necessary that we reserve the right to make specification, equipment and price changes without notice. Illustrations shown may include optional equipment and accessories, and may not include all standard equipment.

Regional Headquarters

Americas

Manitowoc, Wisconsin, USA
 Tel: +1 920 684 6621
 Fax: +1 920 683 6277

Shady Grove, Pennsylvania, USA
 Tel: +1 717 597 8121
 Fax: +1 717 597 4062

Europe, Middle East, Africa

Ecully, France
 Tel: +33 472 18 2020
 Fax: +33 472 18 2000

Asia - Pacific

Shanghai, China
 Tel: +86 21 6457 0066
 Fax: +86 21 6457 4955



www.manitowoc.com

Potain Igo MA13
 Code 04-020-2M-1209