

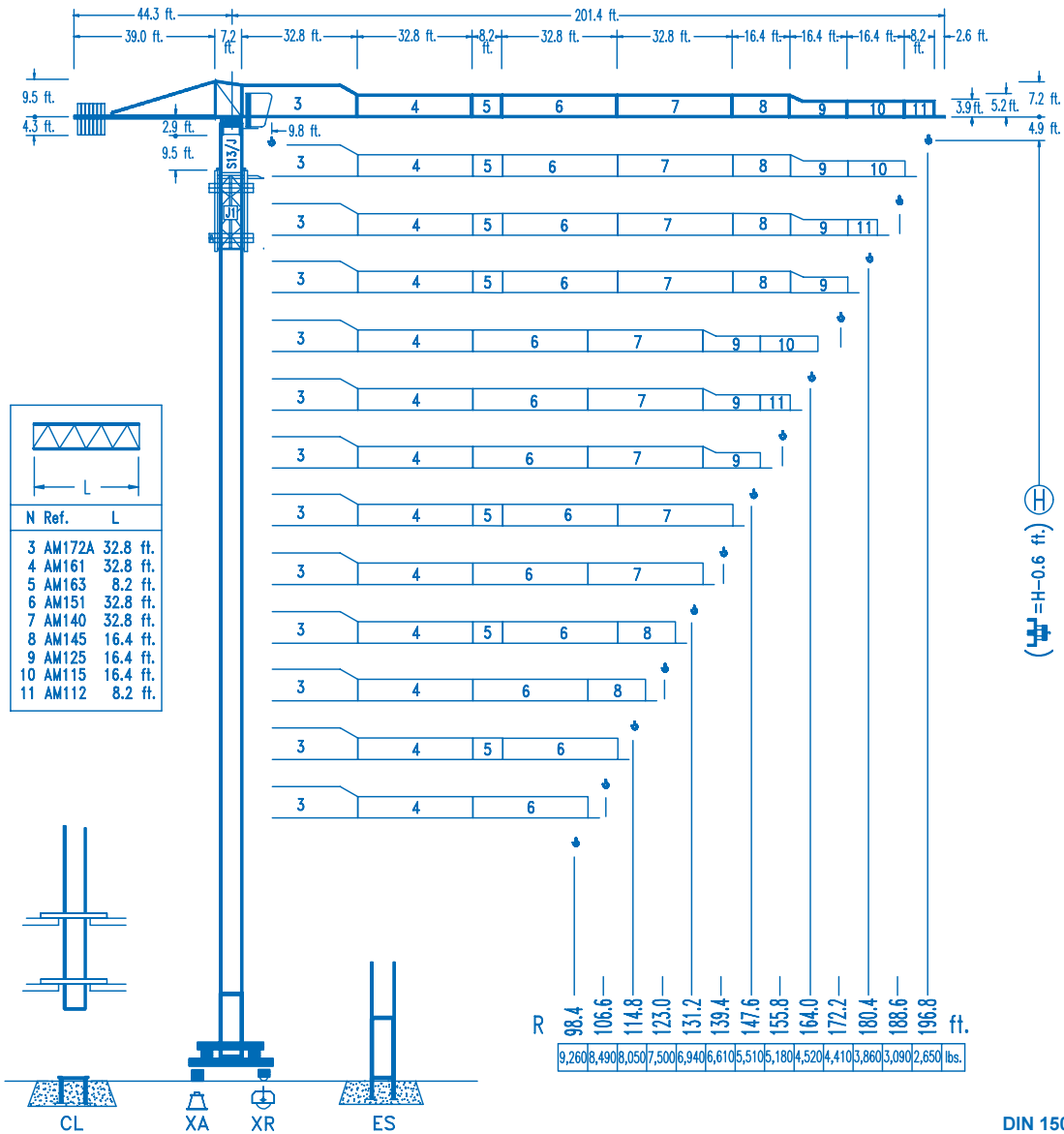


LINDEN COMANSA

LINDEN 1100

11 LC 132

13,230 lbs.

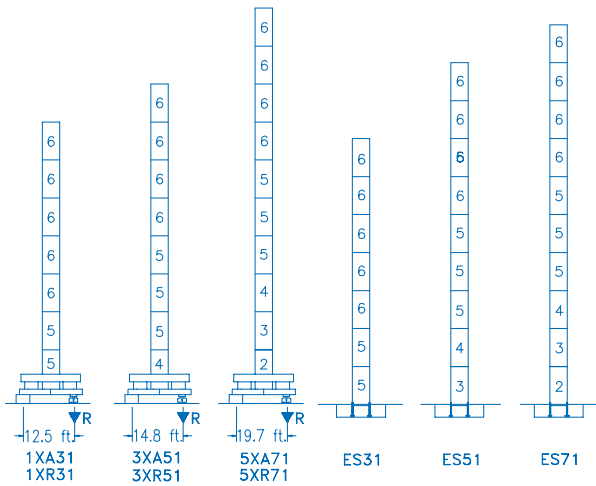


DIN 15018 H1 B3

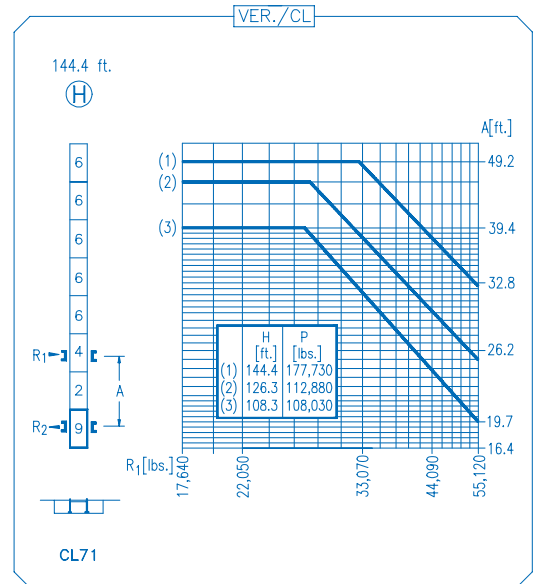
R	98.4	106.6	114.8	123.0	131.2	139.4	147.6	155.8	164.0	172.2	180.4	188.6	196.8						
98.4	47.9	55.8	65.6	75.5	83.7	93.2	98.4	106.6	114.8	123.0	131.2	139.4	147.6	155.8	164.0	172.2	180.4	188.6	196.8
106.6	13,230	11,000	9,020	7,560	6,610	6,190	5,640	5,180	4,760	4,410	4,100	3,810	3,570	3,350	3,150	2,950	2,800	2,650	2,500
114.8	58.4	65.6	75.5	82.0	89.9	100.4	106.6	114.8	123.0	131.2	139.4	147.6	155.8	164.0	172.2	180.4	188.6	196.8	205.0
123.0	13,230	11,970	9,830	8,290	7,450	6,610	6,150	5,640	5,200	4,830	4,500	4,190	3,920	3,680	3,460	3,260	3,090	2,930	2,770
131.2	61.7	65.6	75.5	82.0	91.9	98.4	102.4	114.5	123.0	131.2	139.4	147.6	155.8	164.0	172.2	180.4	188.6	196.8	205.0
139.4	13,230	11,490	9,700	8,750	7,610	6,970	6,610	6,610	6,080	5,640	5,270	4,920	4,610	4,340	4,080	3,860	3,650	3,450	3,250
147.6	63.6	75.5	82.0	91.9	98.4	105.0	108.9	122.0	131.2	139.4	147.6	155.8	164.0	172.2	180.4	188.6	196.8	205.0	213.8
155.8	13,230	12,320	10,430	9,440	8,200	7,520	6,920	6,610	6,080	5,670	5,290	4,960	4,670	4,410	4,160	3,920	3,690	3,470	3,250
164.0	64.0	65.6	75.5	82.0	91.9	98.4	105.6	118.4	123.0	131.2	139.4	147.6	155.8	164.0	172.2	180.4	188.6	196.8	205.0
172.2	13,230	11,930	10,080	9,100	7,910	7,250	6,610	6,330	5,890	5,470	5,110	4,810	4,520	4,240	3,970	3,710	3,460	3,210	2,960
180.4	64.0	75.5	82.0	91.9	98.4	105.0	112.5	126.3	131.2	139.4	147.6	155.8	164.0	172.2	180.4	188.6	196.8	205.0	213.8
188.6	13,230	10,850	9,810	8,530	7,830	7,230	6,610	6,330	5,910	5,510	5,180	4,860	4,550	4,250	3,960	3,680	3,410	3,140	2,870
196.8	63.6	75.5	82.0	91.9	98.4	105.0	112.2	126.0	131.2	139.4	147.6	155.8	164.0	172.2	180.4	188.6	196.8	205.0	213.8
205.0	13,230	10,820	9,790	8,510	7,800	7,210	6,610	6,330	5,890	5,510	5,180	4,860	4,550	4,250	3,960	3,680	3,410	3,140	2,870
213.8	77.1	82.0	91.9	98.4	105.0	114.8	121.4	136.2	139.4	147.6	155.8	164.0	172.2	180.4	188.6	196.8	205.0	213.8	222.6
222.6	13,230	12,320	10,760	9,920	9,170	8,200	7,650	6,610	6,610	6,610	6,610	6,610	6,610	6,610	6,610	6,610	6,610	6,610	6,610
231.4	76.4	82.0	91.9	98.4	105.0	114.8	121.4	131.2	139.4	147.6	155.8	164.0	172.2	180.4	188.6	196.8	205.0	213.8	222.6
240.2	13,230	12,170	10,630	9,790	9,060	8,110	7,560	6,940	6,330	5,890	5,470	5,110	4,810	4,520	4,240	3,970	3,710	3,460	3,210
249.0	76.1	82.0	91.9	98.4	105.0	114.8	123.0	131.2	139.4	147.6	155.8	164.0	172.2	180.4	188.6	196.8	205.0	213.8	222.6
257.8	13,230	12,100	10,580	9,720	8,990	8,050	7,500	6,890	6,330	5,890	5,470	5,110	4,810	4,520	4,240	3,970	3,710	3,460	3,210

DS.0840.04 10/08 Reserva de modificaciones.- Subject to modifications.- Modifications réservées.- Konstruktionsänderungen vorbehalten.

139.1 ft. (H) 157.1 ft. (H) 194.2 ft. (H) 134.2 ft. (H) 170.3 ft. (H) 188.3 ft. (H)



N Ref.	h
2	TS15 18.0 ft.
3	S14 18.0 ft.
4	TS14 18.0 ft.
5	S13 18.0 ft.
6	S12 18.0 ft.
9	CLS15 10.2 ft.



R. máx.	En servicio	1XR31 ... 155.200 lbs.
	In operation	3XR51 ... 148.590 lbs.
	En service	5XR71 ... 153.440 lbs.
	In Betrieb	

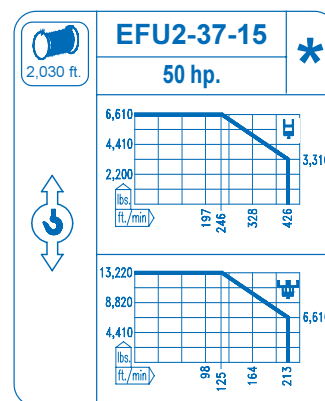
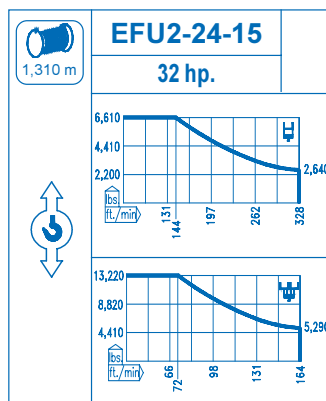
R. máx.	Fuera de servicio	1XR31 ... 199.740 lbs.
	Out of service	3XR51 ... 216.270 lbs.
	Hors service	5XR71 ... 252.870 lbs.
	Ausser Betrieb	

CFU-4.0
5.4 hp.
0 ⇄ 295 ft./min

GR-5.5
2x40 ft.lbs.
0 ⇄ 0.7 rpm

TS2-5.5 **TRA-7.5**
2x40 ft.lbs. 2x55 ft.lbs.
0 ⇄ 65 ft./min
1XR31 5XR 71
3XR51

TRA-7.5VC
2x55 ft.lbs.
0 ⇄ 65 ft./min
5XR71



Tensión de alimentación	480 V
Operating voltage	3 ph
Tension de service	60 Hz
Betriebsspannung	

Opcional	*
Optional	
En option	
Kaufoption	