

Tech Spec

IC-25-A

Seated operator
and only four feet wide.



- Capacity ... 4,000 lbs.*
- Pick and Carry Capacity ...up to 3,400 lbs.
- Height ... 7' 2" with Operator Guard Installed
- Height ... 5' 9" without Operator Guard Installed
- Width ... 4'
- Boom Rotation ... Fixed
- Sheave Height ... up to 27'
- Horizontal Reach ... up to 17'*
- Tight Turning Radius
- Rear Wheel Steer ... Standard
- Front Wheel Drive ... Standard
- Fully Hydraulic Controls for Smooth Precise Operation
- Water Cooled Engine
- Dual Fuel Standard, Diesel Optional

*Front of Bumper

BMC[®] BRODERSON[®]
Manufacturing Corp.

P.O. Box 14770, Lenexa, KS 66285-4770
 (913) 888-0606 • FAX (913) 888-8431
 website: bmccranes.com



IC-25-A

CAPACITIES APPLY TO OPERATION ON FIRM LEVEL SURFACE			
3-SECTION MAIN BOOM			7' BOOM EXT.
LOAD CG DISTANCE FROM FRONT BUMPER (FEET)	STATIC LIFT CAPACITY (POUNDS)	PICK & CARRY CAPACITY (POUNDS)	STATIC LIFT CAPACITY (POUNDS)
2	4000	3400	1000
3	3100	2800	1000
4	2500	2300	1000
5	2100	1900	1000
6	1800	1650	1000
8	1400	1250	1000
10	1100	1000	1000
12			900
14			800
16			700
17			600

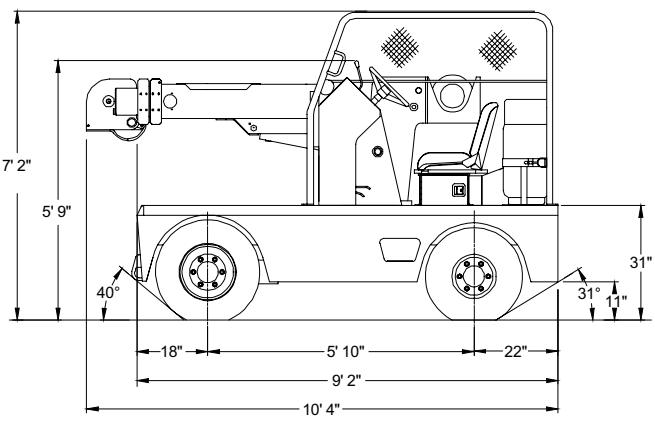
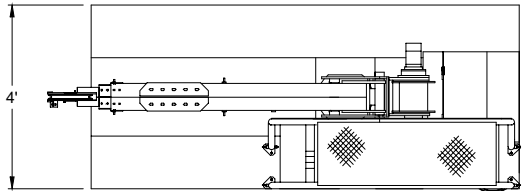
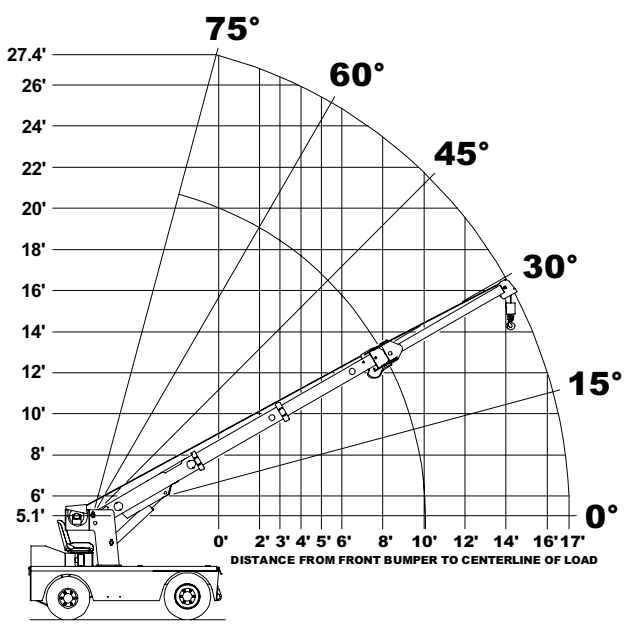
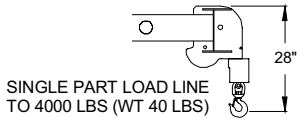
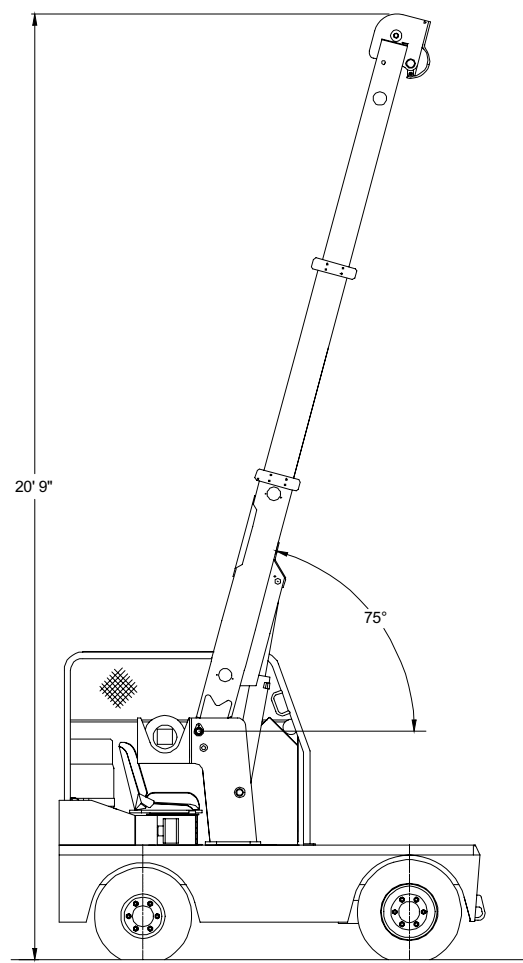
LOAD DISTANCE IS THE HORIZONTAL DISTANCE FROM THE FRONT BUMPER TO THE VERTICAL LOAD LINE WITH THE LOAD APPLIED.

LOAD HOOK, DOWNHAUL WEIGHT, SHEAVE BLOCKS AND OTHER LOAD HANDLING DEVICES SHALL BE CONSIDERED PART OF THE LOAD.

DECK CAPACITY 5000 POUNDS IF CENTERED ON FRONT DECK AND NO LOAD ON HOOK. MAXIMUM CARRY SPEED IS 2 MPH.

BOOM EXTENSION DEDUCT: 100 LBS WHEN STOWED ON BASE BOOM.

DO NOT PICK AND CARRY WITH BOOM EXTENSION INSTALLED.





Tech Spec

General:

Weight	5,850 lbs.
Travel Speed	Up to 4 mph
Drawbar Pull	3,400 lbs.
Boom Movements:	
Rotation	Non-Rotating Boom
Elevation	0 to 75 degrees
Telescope	9 ft.
Boom Speeds:	
Elevation	12 seconds
Telescope	30 seconds

Engine:

Make	Kubota	Kubota
Model	DF972	D1105
Type	Dual Fuel	Diesel
Cylinders	3	3
Displacement	972 cc	1105 cc
HP @ Governed speed	28 HP	25 HP
Fuel Tank Capacity	13.5 gallons fuel tank	33 lb. aluminum LPG tank

Hydrostatic Pump:

Piston type, 2.8 CID/Rev direct driveline driven from engine flywheel.

Axles:

Front Drive Axle:

Planetary drive axle with overall ratio of 24:1 Differential is limited slip. Axle oscillates a total of .75 inch.

Rear Steering Axle:

Fixed rigidly to frame. Non-oscillating.

Steering:

Full hydraulic unit with one double-acting cylinder attached to rear axle.

Brakes:

Primary braking from hydrostatic transmission. Foot-actuated hydraulic disc brakes in axle for additional braking. Cable-applied park brake. All braking is on front wheels.

Tires:

Front - 28 x 9-15 pneumatic, 14-ply rating.
Rear - 7.5 x 10 pneumatic, 16-ply rating.

Chassis:

Cargo Deck:

23 square feet deck area, 5,000 pounds capacity.

Front Pulling Eye:

For attachment of hook block so main winch line can be used for pulling loads at or near floor level.

Operator Guard

Tubular steel weldment with heavy expanded steel mesh top and curb side section, covers operator's compartment. Overhead height with guard installed 84 inches.

Lifting Rings:

Four lift rings, one at each corner of deck, for attaching lifting sling.

Operator's Compartment:

Provides one-position access to all chassis and crane functions. Includes a fire extinguisher and bubble level.

Electrical System:

12 Volt System

Lighting Group:

Two headlights and two taillights.

Instrument Group:

Lighted fuel, volt meter, oil pressure, water temperature, hydrostatic oil temperature gauges & hourmeter.

Back-Up Alarm:

Provides pulsating 97 decibel sound when transmission is in reverse.

Hydraulic System:

Tandem pump mounted to rear of hydrostatic piston pump. Delivers 6 & 10 GPM at rated engine RPM. Hydraulic oil tank capacity 9 gallons.

Boom:

Boom Assembly:

Three-section boom assembly equipped with bearing pads, double-acting hydraulic cylinders equipped with direct-connected holding valves. Boom angle indicator on left side of boom.

Boom Hoist:

Turret-mounted, hydraulically powered hoist, provides bare drum line pull of 5,300 lbs. at a speed of 66 fpm. Includes downhaul weight, swivel hook and 85 ft. of 3/8 in. wire rope.

Anti-Two Block Device:

Prevents damage to hoist rope and/or crane components from pulling load hook against tip.



IC-25-A

Listed below are brief descriptions of each option available for the IC-25-2A Industrial Crane. Consult the IC-25-2A Engineering Spec for additional information on each option.

IC-25-2A, 2-Ton Industrial Crane with Gasoline/Dual Fuel Engine

Engine Options:

Kubota 1.1 L Diesel Engine

Kubota Model D1105, 3-cylinder, 1105 cc water cooled diesel engine.

Spark Arrester Muffler

Installed in addition to standard muffler.

Engine Shutdown Gauges

Shuts engine off when high coolant temperature or low engine oil pressure occurs.

Tire Option:

Foam Filling of Tires

Spare Tire & Wheel:

28 x 9-15 pneumatic tires, 14-ply, Front
7.50 x 10 pneumatic tires, 16-ply, Rear

Chassis Options:

Pintle Hook

Pintle hook mounted on rear frame, 5 ton capacity.

Lifting Sling

Four-leg hitch consisting of heavy-duty pear link and four wire ropes with swaged-on clevis ends.

Headlight and Taillight Grilles

Welded steel protective grilles for headlights and taillights.

Electrical Options:

Strobe Light

One yellow strobe light mounted at back of turret for high visibility.

Boom Work Light

One work light on left side of boom to light boom tip and load.

Boom Attachment Options:

Boom Extension, Offsettable

7 foot, boom stowable

Rated Capacity Limiter

Warns operator of impending overload with audible and visual signals. Prevents overload by stopping boom functions that cause overloads. Readouts for load, boom angle, boom length and load radius.

Should you, as the end user, require an option or special equipment on your IC-25-2A that is not listed on our sales literature, please contact your dealer sales-person or the factory to receive a special quoted price.


P.O. Box 14770, Lenexa, KS 66285-4770
(913) 888-0606 • FAX (913) 888-8431
website: bmccranes.com